

# V SERIES

## LINEAR VELOCITY TRANSDUCER



### Self-generating tachometer

The **V Series** linear velocity transducer incorporates a self-generating tachometer which eliminates the need for any external power supply. Extra long brush life, excellent stability and a wide operating temperature range make the V series transducer highly reliable for long term service.

## SPECIFICATIONS

### GENERAL

Construction..... Aluminum Cover & Baseplate  
 Sensing Device..... Tacho-generator  
 Connector..... MS3102A-14S-6P  
 Wire Rope..... Ø.016 Stainless Steel  
 Wire Rope Tension ..... See Table 5  
 Wire Rope Inbound Acceleration ... See Table 5  
 Weight  
 Up to 50"..... 1.2 lb. (0.54 Kg)  
 60" & 80" ..... 1.54 lb. (0.70 Kg)  
 Dimensional Information..... See Supplemental Data<sup>[2]</sup>, Fig. 1 & 2  
 Options and Accessories ..... See Supplemental Data<sup>[2]</sup>

### ELECTRICAL

Output ..... See Table 5  
 Linearity..... ±0.10% F.S. with 10 VDC Max Output  
 Ripple ..... 3% Max.  
 Input ..... None Required; Self Generating  
 Output Impedance ..... 350Ω  
 Thermal Effects ..... 0.01% Max. per Degree C  
 through Range -20°C to 75°C

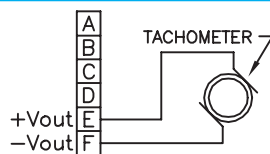
### ENVIRONMENTAL

Operating temperature ..... -40°C to +95°C  
 Storage Temperature..... -55°C to +100°C  
 Operating humidity..... 90% R.H. max. Non-condensing  
 Vibration ..... 10G's to 2KHz  
 Shock ..... 50 G's 0.1 ms Max.  
 Ingress Protection ..... IP-40 (NEMA 1)

**TABLE 5**

RANGE (Inches)	VELOCITY OUTPUT (mV/in/sec) (mV/cm/sec)		WIRE ROPE TENSION (oz) (N)		WIRE ROPE ACCEL <sup>[1]</sup> (G's)	WEIGHT (lb) (Kg)	
2, 10	200	78	34	9.5	33	1.20	0.54
3, 15, 30	136	53	24	6.7	30	1.20	0.54
4, 20, 40	102	40	24	6.7	36	1.20	0.54
5, 25, 50	82	32	34	9.5	33	1.20	0.54
60	69	27	24	6.7	27	1.54	0.70
80	52	20	19	5.3	16	1.54	0.70

### CONNECTION DIAGRAM



POSITIVE OUTPUT OCCURS WITH CABLE EXTENDING

### FOOTNOTES TO SPECIFICATIONS

1. Maximum cable retraction acceleration.
2. Supplemental Data section located at end of Standard Series pages.

## MODEL NUMBER CONFIGURATION

V- 0 - 1 2 3 - 4 5 6 - 7 8 9

### BASIC CONFIGURATION (FOR ALL RANGES)

**V-50-S10-N0S-10C**

**0 RANGE**

2.....	2" (50 mm)
3.....	3" (75 mm)
4.....	4" (100 mm)
5.....	5" (125 mm)
10.....	10" (250 mm)
15.....	15" (390 mm)
20.....	20" (500 mm)
25.....	25" (640 mm)
30.....	30" (750 mm)
40.....	40" (1000 mm)
50.....	50" (1250 mm)
60.....	60" (1500 mm)
80.....	80" (2000 mm)

**1 WIRE ROPE**

S.....	Ø.016 (0,4 mm) Stainless Steel
N.....	Ø.018 (0,45 mm) Nylon Jacketed Stainless Steel

**2 WIRE ROPE TENSION**

1.....	Standard (50 G Units to 50")
2.....	Reduced (See Table 7 for Value)
3.....	Increased (100G Ranges to 50")

\*Not Available Ranges 2" to 5"

**3 WIRE ROPE EXIT DIRECTION**

USE NUMBER DESIGNATORS SHOWN

0=STANDARD EXIT

**4 DUST WIPER OPTION**

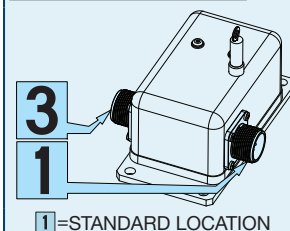
N.....	No dust wiper
D.....	Dust Wiper Included

**5 0.....** Required Designator

**6 S.....** Required Designator

**7 CONNECTOR LOCATION**

USE NUMBER DESIGNATORS SHOWN



**8 0.....** Required Designator

**9 ELECTRICAL INTERFACE**

C.....	Mating Connector Included
K.....	Mating Connector Omitted*
T.....	Terminal Strip

\*Electrical cable with mating connector may be ordered separately as part number **10028-xM** where 'x' is the length required in meters.

**Herbertek** www.herbertek.se  
 info@herbertek.se  
 +46-18 5905 10

### ADDITIONAL OPTIONS

#### TABLE 7

### STANDARD SERIES — WIRE ROPE TENSION AND ACCELERATION

RANGE	PA, PB, P420, P510 SERIES				EP SERIES				V & VP SERIES			
	STANDARD WIRE ROPE TENSION	STANDARD WIRE ROPE ACCEL	REDUCED WIRE ROPE TENSION	REDUCED WIRE ROPE ACCEL	STANDARD WIRE ROPE TENSION	STANDARD WIRE ROPE ACCEL	REDUCED WIRE ROPE TENSION	REDUCED WIRE ROPE ACCEL	STANDARD WIRE ROPE TENSION	STANDARD WIRE ROPE ACCEL	REDUCED WIRE ROPE TENSION	REDUCED WIRE ROPE ACCEL
(in) (mm)	(oz) (N)	(G's)	(oz) (N)	(G's)	(oz) (N)	(G's)	(oz) (N)	(G's)	(oz) (N)	(G's)	(oz) (N)	(G's)
2 50	34 9.5	>50	16 4.4	28	–	–	–	–	34 9.5	33	16 4.4	14
3 75	24 6.7	>50	14 3.9	16	–	–	–	–	24 6.7	30	14 3.9	15
4 100	24 6.7	>50	11 3.1	12	–	–	–	–	24 6.7	36	11 3.1	15
5 125	34 9.5	>50	8 2.2	7	–	–	–	–	34 9.5	33	8 2.2	6
10 250	34 9.5	>50	16 4.4	28	34 9.5	43	16 4.4	19	34 9.5	33	16 4.4	14
15 390	24 6.7	>50	14 3.9	16	–	–	–	–	24 6.7	30	14 3.9	15
20 500	24 6.7	>50	11 3.1	12	–	–	–	–	24 6.7	36	11 3.1	14
25 640	34 9.5	>50	8 2.2	7	34 9.5	37	8 2.2	7	34 9.5	33	8 2.2	6
30 750	24 6.7	>50	14 3.9	16	–	–	–	–	24 6.7	30	14 3.9	15
40 1000	24 6.7	>50	11 3.1	12	–	–	–	–	24 6.7	36	11 3.1	12
50 1250	34 9.5	>50	8 2.2	7	34 9.5	37	8 2.2	7	34 9.5	33	8 2.2	5
60 1500	24 6.7	27	7 1.8	2	24 6.7	18	7 1.8	5	24 6.7	27	7 1.8	6
80 2000	19 5.3	16	5 1.4	2	19 5.3	7	5 1.4	2	19 5.3	16	5 1.4	3

**Herbertek** [www.herbertek.se](http://www.herbertek.se)  
[info@herbertek.se](mailto:info@herbertek.se)  
+46-18 590510

### LIFE

Ranges 2" to 5" ..... 5,000,000 full stroke cycles  
 Ranges 10" to 25" ..... 500,000 full stroke cycles  
 Ranges 30" to 80" ..... 250,000 full stroke cycles

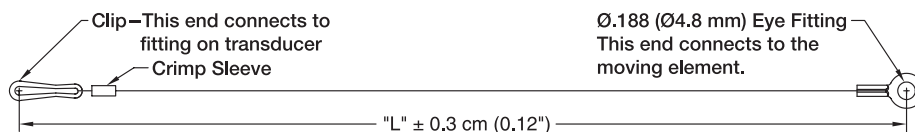
\*With 1K ohm potentiometer, wire rope misalignment 2° maximum at full stroke, relatively dust free environment, and with nylon jacketed wire rope

### OPTION DESCRIPTIONS

OPTION	OPTION DESIGNATOR	DESCRIPTION						
Nylon jacketed wire rope	<b>N</b>	Replaces standard stainless steel wire rope with Ø.018 nylon jacketed wire rope. Increases wire rope life dramatically but may increase non-linearity by as much as ±0.05% of full scale.						
Reduced Wire Rope Tension	<b>2</b>	Reduces the overall tension in the wire rope and increases wire rope life. Dynamic response of the transducer is reduced due to the reduced inbound acceleration capability.						
Increased Wire Rope Tension	<b>3</b>	Increases tension in the wire rope which increases the dynamic response of the transducer. On selected units with range of 50" (1250 mm) or less, inbound acceleration capability is 100G's. Wire rope life may be adversely affected by the high tension option.						
Dust wiper	<b>D</b>	Lubricated wiper strips dust and debris from wire rope as it retracts into case. Adds 0.36" (9 mm) height to wire rope exit location.						
Non-standard potentiometer (applies to PA series only)	<b>3,4</b>	Non-standard potentiometer linearity is as follows: <table border="1" style="margin-left: 20px;"> <thead> <tr> <th>RANGE</th> <th>LINEARITY</th> </tr> </thead> <tbody> <tr> <td>10" to 25"</td> <td>±0.50% of full scale</td> </tr> <tr> <td>30" and above</td> <td>±0.25% of full scale</td> </tr> </tbody> </table> Note: This option is subject to potentiometer availability.	RANGE	LINEARITY	10" to 25"	±0.50% of full scale	30" and above	±0.25% of full scale
RANGE	LINEARITY							
10" to 25"	±0.50% of full scale							
30" and above	±0.25% of full scale							
Reversed output	<b>R</b>	Output is at a maximum when wire rope is fully retracted. Output decreases as wire rope is extended. Does not apply to velocity or encoder signal.						
Terminal strip	<b>T</b>	Replaces connector with a terminal strip.						

### 10067 – AUXILIARY WIRE ROPE EXTENSION KIT

The auxiliary wire rope extension may be used to facilitate mounting the transducer remotely from the measurement point. The clip on the extension attaches to the eye fitting on the transducer. The eye fitting on the opposite end, which is identical to the fitting on the transducer, mounts to the moving element. The extension kit is also available with the clip end unterminated for situations where it is more convenient to size the wire rope length during installation. Clip and crimp fitting are included with the unterminated version.



### 10067- 1 -CM- 2

- 1 DIMENSION "L"**  
Specify Dimension "L" in centimeters to the nearest whole centimeter  
NOTES: 1. 1 cm = 0.394", 1 inch = 2.54 cm  
 2. Shortest length "L" is 5 cm (approximately 2")
- 2 UNTERMINATED CLIP END**  
 Leave Blank.... Completed kit (No designator required)  
 U ..... Unterminated Clip End (clip and crimp sleeve included in kit)

### REPLACEMENT WIRE ROPE KITS

The replacement Wire Rope Kit includes a new wire rope with all end terminations, wire rope guide, felt dust wiper where applicable and installation instructions. To order, replace 'xx' in the part number with the applicable measurement range in inches.

- 10107-xx Replacement Wire Rope Kit**—Standard Ø.016" Stainless Steel Wire Rope.
- 10108-xx Replacement Wire Rope Kit**—Ø.018" Nylon Jacketed Stainless Steel Wire Rope.
- 10127-xx Replacement Wire Rope Kit**—Standard Ø.016" Stainless Steel Wire Rope with Dust Wiper.
- 10128-xx Replacement Wire Rope Kit**—Ø.018" Nylon Jacketed Stainless Steel Wire Rope with Dust Wiper.

### DIMENSIONAL INFORMATION

#### RANGES TO 50" (1250 MM)

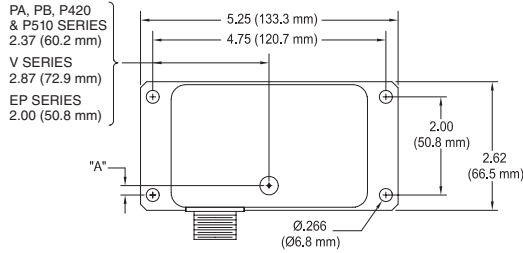
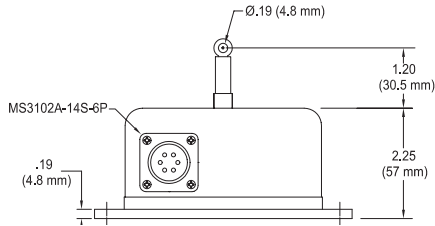


FIG. 1



PA, PB, P420, P510, V Series

RANGE	DIM "A"
	(inch) (mm)
2", 10"	0.66 (16.8)
3", 15", 30"	0.51 (12.9)
4", 20", 40"	0.35 (8.8)
5", 25", 50"	0.19 (4.8)
60"	See Fig. 2
80"	See Fig. 2

EP Series

RANGE	DIM "A"
	(inch) (mm)
EP-10	0.68 (17.4)
EP-25, EP-50	0.21 (5.3)
EP-60	See Fig. 2
EP-80	See Fig. 2
EPM-250	0.68 (17.4)
EPM-1250	0.21 (5.3)

Dimensions in brackets are millimeters

#### RANGES 60" (1.5 M) AND 80" (2 M)

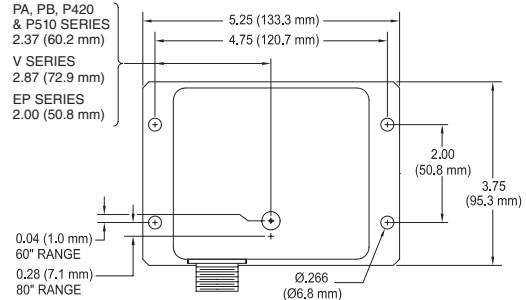
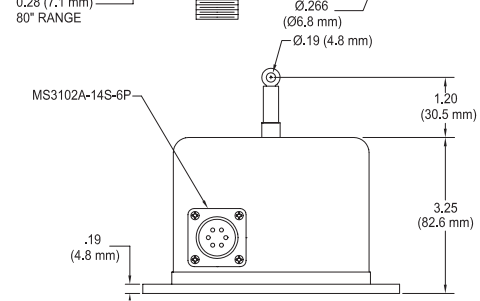


FIG. 2



Dimensions in brackets are millimeters