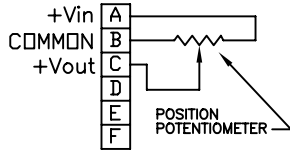


PA Series Installation Guide

Wiring and Circuit Diagram

Model PA

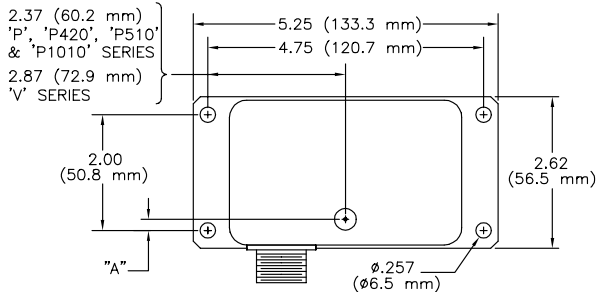


Excitation Voltage: 25 VDC or VAC Max.
 Potentiometer Resistance: 1000 ohms \pm 10%

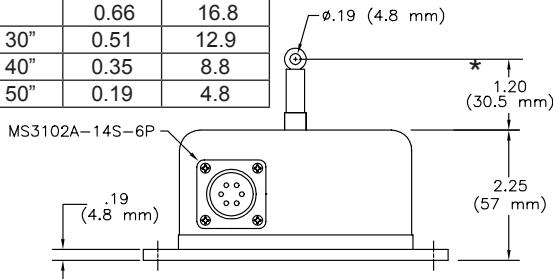
Note: Any input voltage up to the maximum specified above may be used. However, for best performance, the input voltage should be closely regulated to insure a stable and accurate output voltage.

Dimensional Information

Ranges to 50" (1250 mm)

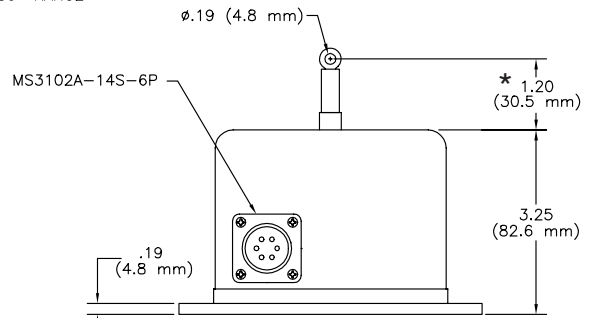
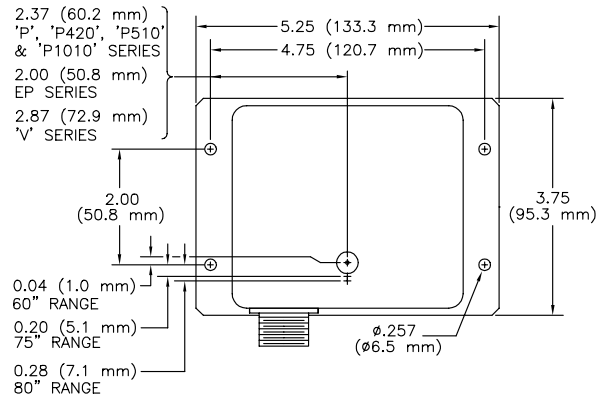


Range	"A"	
	(in.)	(mm.)
2", 10"	0.66	16.8
3", 15", 30"	0.51	12.9
4", 20", 40"	0.35	8.8
5", 25", 50"	0.19	4.8



* 1.56 (39.6 mm) with "DS" option.

Ranges to 80" (2000 mm)



* 1.56 (39.6 mm) with "DS" option.

UniMeasure 4175 SW Research Way, Corvallis, Oregon, 97333
 •Tel: (541) 757-3158 •Fax (541) 757-0858

Herbertek www.herbertek.se
 info@herbertek.se
 +46-18 590510

Standard Series Installation Guide

OPTION "CES" SIDE CABLE EXIT

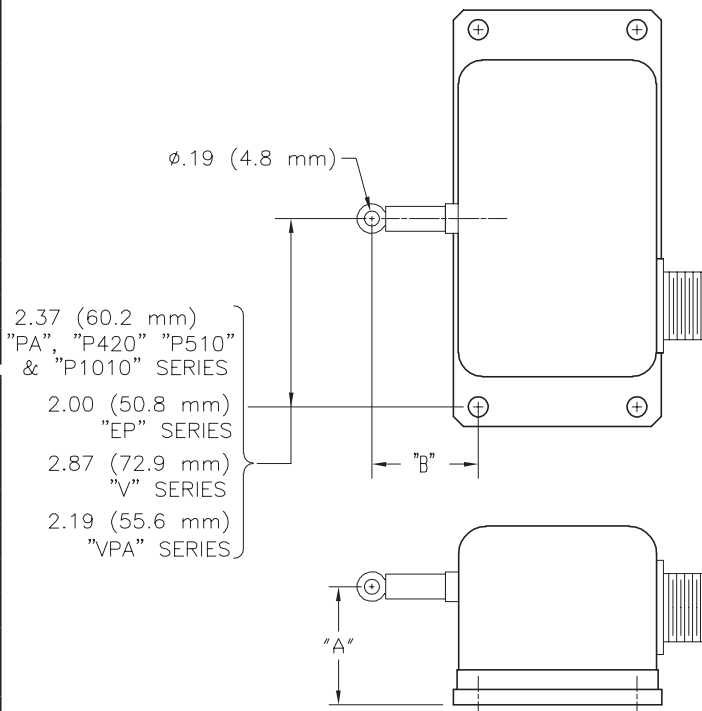
PA, PB, P420, P510, P1010, EP, V, VP SERIES

RANGE	PA, PB, P420, P510, P1010 EP, V SERIES	
	DIMENSION "A"	DIMENSION "B"*
2", 10"	1.52" (38.6 mm)	1.28" (32.5 mm)
3", 15", 30"	1.68" (42.7 mm)**	1.28" (32.5 mm)
4", 20", 40"	1.84" (46.7 mm)**	1.28" (32.5 mm)
5", 25", 50"	1.97" (50.8mm)**	1.28" (32.5 mm)
60"	2.53" (64.3 mm)	1.78" (45.2 mm)
75"	2.76" (70.2 mm)	1.78" (45.2 mm)
80"	2.84" (72.2 mm)	1.78" (45.2 mm)

RANGE	VP SERIES	
	DIMENSION "A"	DIMENSION "B"*
2", 10"	1.58" (40.1 mm)	1.68" (42.7 mm)
3", 15", 30"	1.74" (44.2 mm)**	1.68" (42.7 mm)
4", 20", 40"	1.90" (48.3 mm)**	1.68" (42.7 mm)
5", 25", 50"	2.03" (52.3 mm)**	1.68" (42.7 mm)
60"	2.59" (65.8 mm)	1.68" (42.7 mm)
75"	2.82" (71.6 mm)	1.68" (42.7 mm)
80"	2.90" (73.7 mm)	1.68" (42.7 mm)

* With "DS" (dust shield) option, add 0.36" (9.1 mm) to "B" dimensions above.

** With "HG" (high wire rope tension) option, add 0.375" to dimension shown for 30", 40" and 50" measurement ranges only.



OPTION "CEB" BOTTOM CABLE EXIT

PA, PB, P420, P510, P1010, EP, V SERIES

RANGE	DIMENSION "A"
2", 10"	1.34 (34.0 mm)
3", 15", 30"	1.49 (37.8 mm)
4", 20", 40"	1.65 (41.9 mm)
5", 25", 50"	1.81 (46.0 mm)
60"	1.96 (49.8 mm)
75"	2.20 (55.9 mm)
80"	2.28 (57.9 mm)

