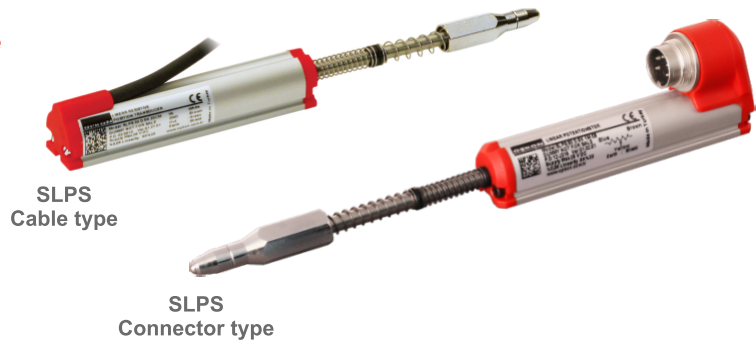


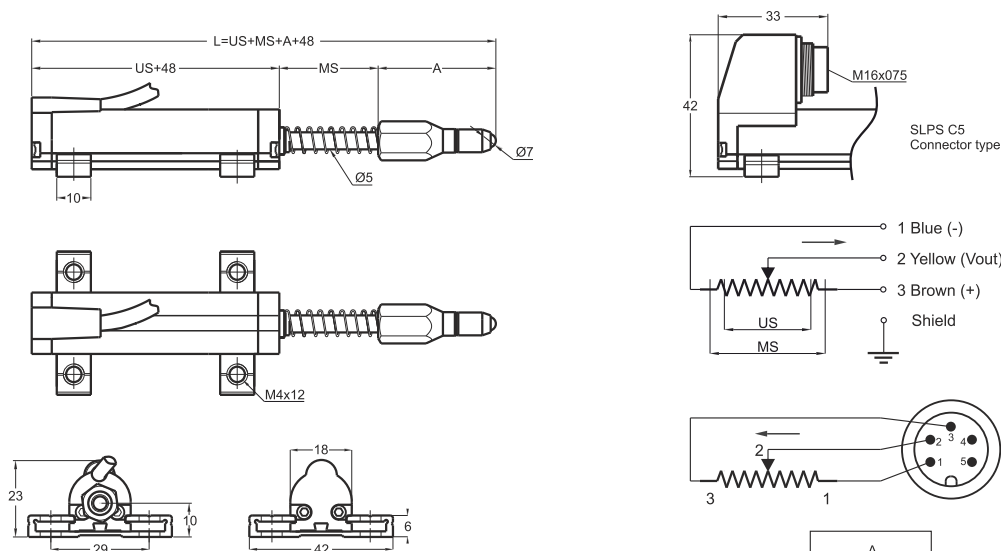
**Linear Potentiometer
 Spring Return, Slim Body Serie**

- Measuring range 10 - 100 mm
- Long mechanical life
- Excellent repeatability <0.01 mm
- Infinite resolution



Technical specifications

Measurement stroke	10 to 100 mm
Linearity	± %0,05
Repeatability	< 0.01 mm
Resolution	Infinite
Resistance	5 KOhm or 10 KOhm (2KOhm for 10-25mm)
Resistance tolerance	± %20
Load resistance	100 KOhm min.
Recommended cursor current	<1 µA
Permissible applied voltage	28 VDC max.
Electrical connections	Cable or Connector output
Displacement speed	< 5 m/s
Mechanical life	100 million cycles
Case dimensions	Ø18 mm
Case material	Anodized aluminium
Rod material	Stainless steel
Rod diameter	Ø5 mm
Mechanical fixing	Variable brackets
IP degree	IP 65
Operating temperature	-20°C ... +80°C
Storage temperature	-30°C ... +90°C



SLPS(mm)	10	25	50	75	100
US (Usefull Stroke)	10	25	50	75	100
MS (Mechanical Stroke)	13	28	53	78	103
L (Total Length)	106	136	193	243	293

A	
SLPS 10	35
SLPS 25	35
SLPS 50	42
SLPS 75	42
SLPS 100	42

Model	Measurement stroke (mm)	Linearity (%)	Resistance (KOhm)	Connector / Cable
(example) SLPS	100	D	5K	1M
SLPS	10 ... 100mm	D : ± %0,05 (standard)	2K : 2 KOhm (10-25mm) 5K : 5 KOhm 10K : 10 KOhm	1M : 1 meter cable (standard) 1M5 : 1,5 meter cable 2M : 2 meter cable C5 : Connector