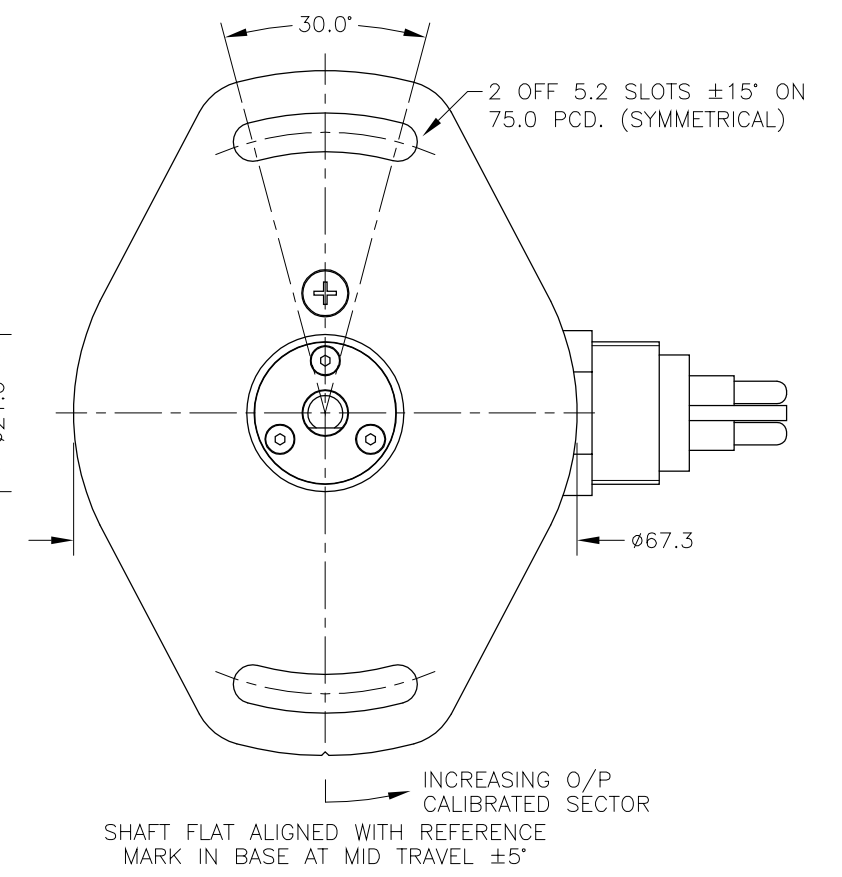
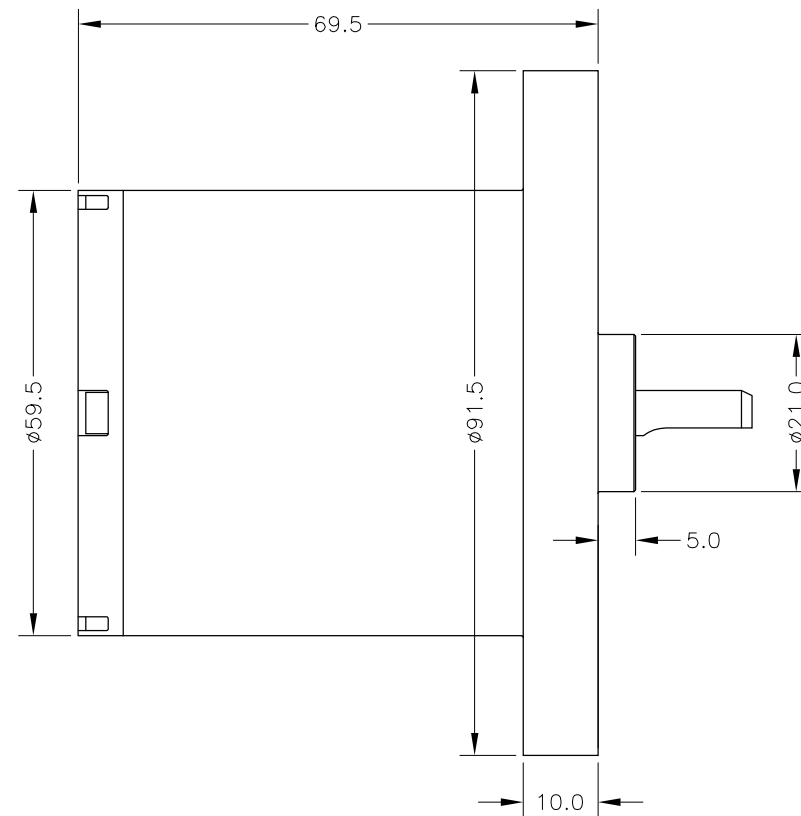
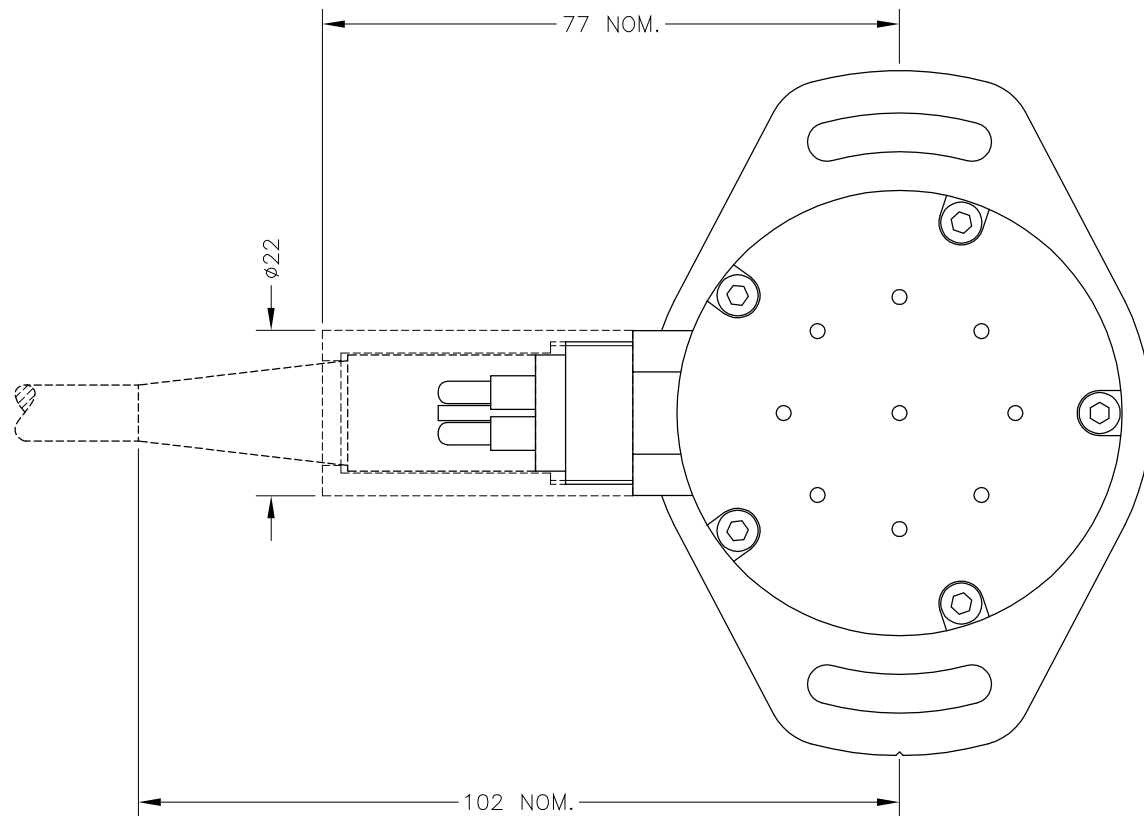
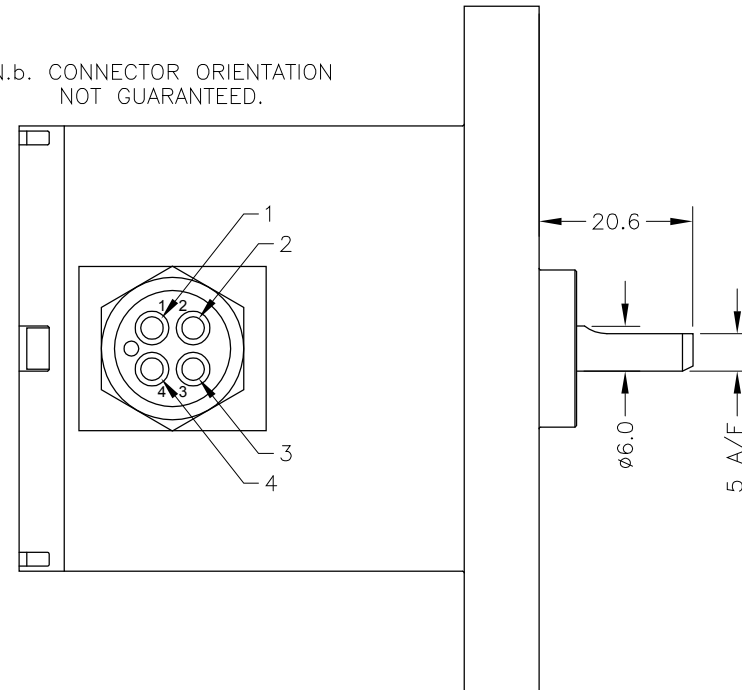


CONNECTORS; WETMATE, 4-POLE.
 BULKHEAD: MC-BH-4-M-SS, STAINLESS STEEL/MOLDED NEOPRENE, SEALING; 340 BAR OPEN FACE, 600 BAR MATED.
 IN-LINE: MC-IL-4-F, MOLDED NEOPRENE WITH CABLE. LOCKING SLEEVE; MCDLS-F, DELRIN.



N.b. CONNECTOR ORIENTATION NOT GUARANTEED.



ELECTRICAL OPTIONS/ SPECIFICATIONS

OUTPUT OPTION	OUTPUT	SUPPLY	
A	0.5 TO 4.5V RATIO METRIC	5V	STANDARD
B	$\pm 5V$	$\pm 15V$	
C	0.5 TO 9.5V	24V	
D	$\pm 10V$	$\pm 15V$	BUFFERED
E	0.5 TO 4.5V	24V	
F	SUPPLY CURRENT 12mA TYP. 20mA MAX.	24V	
G	4 TO 20mA 2-WIRE	24V	
H	4 TO 20mA 3-WIRE SINK	24V	
	4 TO 20mA 3-WIRE SOURCE	24V	

SINK VERSION OUTPUT COMPLIANCE 5-28V
 SOURCE VERSION DRIVE 300Ω MAX TO 0V

MATING CONNECTOR SUPPLIED WITH 50cm MOULDED CABLE AS STANDARD.
 4-CORE SCREENED: 0.5mm², $\phi 7.5$ mm MAX. JACKET / CORE INSULATION: EPDM.

- CONNECTIONS:-
- 1 BLACK OUTPUT
 - 2 WHITE 0V
 - 3 RED BODY (OPTIONS: A, C, E-H)
-Ve (OPTIONS: B OR D)
 - 4 GREEN +Ve
- SCREEN NOT CONNECTED TO SENSOR

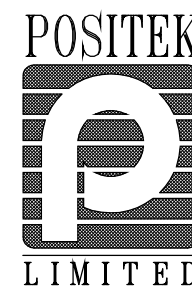
RANGE OF DISPLACEMENT FROM 15° TO 160°, IN INCREMENTS OF 1°.
 BODY MATERIAL:- STAINLESS STEEL 316.

MAXIMUM WORKING DEPTH: 3500 METRES 350 BAR. WHERE THE FREE END OF THE CABLE IS TO BE TERMINATED IN A SUBMERGED POSITION, ADEQUATE SEALING MUST BE PROVIDED TO PROTECT CONNECTIONS.
 SENSOR IS OIL FILLED AND PRESSURE BALANCED. PRESSURE SENSITIVITY <math>< 1\%FS</math> TO 350 BAR

A	FIRST ISSUE.	PDM
B	DISP. FROM 15° WAS 16° - RAN1146	PDM
C	CABLE COLOURS CORECTED - RAN1190	PDM

DRAWINGS NOT TO BE CHANGED WITHOUT REFERENCE TO THE CHANGE PROCEDURE.
 CHANGES TO PARTS USED IN INTRINSICALLY SAFE PRODUCT MUST BE APPROVED BY THE AUTHORISED PERSON
 THIS IS AN UNCONTROLLED PRINT AND WILL NOT BE UPDATED.

Herbertek www.herbertek.se
 info@herbertek.se
 +46-18 590510



A	27/10/16	CHECKED BY RDS	X	± 0.4
B	12/12/16		X.X	± 0.2
C	14/06/17		X.XX	± 0.1
			DIMS	mm
DESCRIPTION				
S520 350 BAR SUBMERSIBLE ROTARY SENSOR				
SCALE 10mm		DRAWING NUMBER S520-11		REV C
SHEET 1 OF 1				