

PB SERIES

BRIDGE CIRCUIT VOLTAGE OUTPUT



Analog absolute positioning

The UniMeasure PB Series transducer includes a sensing potentiometer in a bridge circuit with adjustable zero and span controls. The completely passive circuit gives a maximum output voltage at maximum span setting of approximately 18% of the input voltage. The span adjustment allows for easy interface to a bridge amplifier. With zero position adjustable to anywhere within the total range of the transducer, voltage output is positive when extending the cable from the selected zero position and is negative when retracting from zero.

SPECIFICATIONS

GENERAL

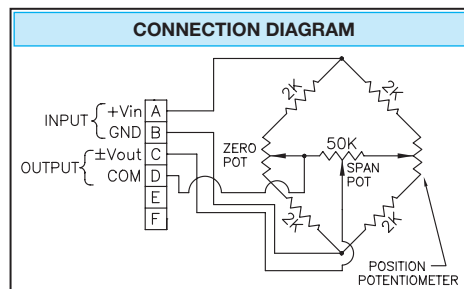
| | |
|--------------------------------|---|
| Linearity | |
| 2", 3", 4" & 5" Ranges | ±0.25% Full Scale |
| 10", 15", 20" & 25" Ranges | ±0.15% Full Scale |
| All other ranges | ±0.10% Full Scale |
| Repeatability ^[1] | ±0.015% Full Scale |
| Resolution | Essentially Infinite |
| Construction | Aluminum Cover & Baseplate |
| Sensing Device | Precision Potentiometer |
| Connector | MS3102A-14S-6P |
| Wire Rope | Ø.016 Stainless Steel |
| Wire Rope Tension | See Supplemental Data ^[2] , Table 7 |
| Wire Rope Inbound Acceleration | See Supplemental Data ^[2] , Table 7 |
| Weight | |
| Up to 50" | 1.0 lb. (0.45 Kg) |
| 60" & 80" | 1.4 lb. (0.63 Kg) |
| Dimensional Information | See Supplemental Data ^[2] , Fig. 1 & 2 |
| Options and Accessories | See Supplemental Data ^[2] |

ELECTRICAL

| | |
|--------------------|--|
| Input Impedance | 1.25KΩ |
| Output Impedance | 1.25KΩ at max span setting 14.4KΩ @ 51% max. span setting |
| Excitation Voltage | 30 Volts Max. AC or DC |
| Output Voltage | User adjustable to a maximum of 18% of Input Voltage |

ENVIRONMENTAL

| | |
|--|------------------------------|
| Thermal Coefficient of Sensing Element | ±100 PPM/°C max. |
| Operating temperature | -40°C to +95°C |
| Operating humidity | 95% R.H. max. non-condensing |
| Vibration | 15 G's 0.1 ms max. |
| Shock | 50 G's 0.1 ms max. |
| Ingress Protection | IP-40 (NEMA 1) |



FOOTNOTES TO SPECIFICATIONS

- Moving to the same position from the same direction.
- Supplemental Data section locate at end of Standard Series pages.

MODEL NUMBER CONFIGURATION

PB- 0 1 2 3 4 5 6 7 8 9

BASIC CONFIGURATION (FOR ALL RANGES)

PB-50-S10-N0S-10C

| 0 RANGE |
|----------------------|
| 2.....2" (50 mm) |
| 3.....3" (75 mm) |
| 4.....4" (100 mm) |
| 5.....5" (125 mm) |
| 10.....10" (250 mm) |
| 15.....15" (390 mm) |
| 20.....20" (500 mm) |
| 25.....25" (640 mm) |
| 30.....30" (750 mm) |
| 40.....40" (1000 mm) |
| 50.....50" (1250 mm) |
| 60.....60" (1500 mm) |
| 80.....80" (2000 mm) |

| 1 WIRE ROPE |
|--|
| S.....Ø.016 (0,4 mm) Stainless Steel |
| N.....Ø.018 (0,45 mm) Nylon Jacketed Stainless Steel |

| 2 WIRE ROPE TENSION |
|---------------------------------------|
| 1.....Standard (50 G Units to 50") |
| 2.....Reduced (See Table 7 for Value) |
| 3.....Increased (100G Ranges to 50") |
| *Not Available Ranges 2" to 5" |

| 3 WIRE ROPE EXIT DIRECTION |
|------------------------------|
| USE NUMBER DESIGNATORS SHOWN |
| |
| 0=STANDARD EXIT |

| 4 DUST WIPER OPTION |
|---------------------------|
| N.....No dust wiper |
| D.....Dust Wiper Included |

| |
|---------------------------|
| 0.....Required Designator |
|---------------------------|

| 6 ELECTRICAL OUTPUT POLARITY |
|---|
| S.....Standard (increasing output as wire rope is extended) |
| R.....Reversed (decreasing output as wire rope is extended) |

| 7 CONNECTOR LOCATION |
|------------------------------|
| USE NUMBER DESIGNATORS SHOWN |
| |
| 1=STANDARD LOCATION |

| |
|---------------------------|
| 0.....Required Designator |
|---------------------------|

| 9 ELECTRICAL INTERFACE |
|---|
| C.....Mating Connector Included |
| K.....Mating Connector Omitted* |
| T.....Terminal Strip |
| *Electrical cable with mating connector may be ordered separately as part number 10028-xM where 'x' is the length required in meters. |

Herbertek www.herbertek.se
info@herbertek.se
+46-18 590510

ADDITIONAL OPTIONS

TABLE 7

STANDARD SERIES — WIRE ROPE TENSION AND ACCELERATION

| RANGE | PA, PB, P420, P510 SERIES | | | | | EP SERIES | | | | V & VP SERIES | | | |
|-----------|----------------------------|--------------------------|---------------------------|-------------------------|--------|----------------------------|--------------------------|---------------------------|-------------------------|----------------------------|--------------------------|---------------------------|-------------------------|
| | STANDARD WIRE ROPE TENSION | STANDARD WIRE ROPE ACCEL | REDUCED WIRE ROPE TENSION | REDUCED WIRE ROPE ACCEL | | STANDARD WIRE ROPE TENSION | STANDARD WIRE ROPE ACCEL | REDUCED WIRE ROPE TENSION | REDUCED WIRE ROPE ACCEL | STANDARD WIRE ROPE TENSION | STANDARD WIRE ROPE ACCEL | REDUCED WIRE ROPE TENSION | REDUCED WIRE ROPE ACCEL |
| (in) (mm) | (oz) (N) | (G's) | (oz) (N) | (G's) | | (oz) (N) | (G's) | (oz) (N) | (G's) | (oz) (N) | (G's) | (oz) (N) | (G's) |
| 2 50 | 34 9.5 | >50 | 16 4.4 | 28 | – | – | – | – | – | 34 9.5 | 33 | 16 4.4 | 14 |
| 3 75 | 24 6.7 | >50 | 14 3.9 | 16 | – | – | – | – | – | 24 6.7 | 30 | 14 3.9 | 15 |
| 4 100 | 24 6.7 | >50 | 11 3.1 | 12 | – | – | – | – | – | 24 6.7 | 36 | 11 3.1 | 15 |
| 5 125 | 34 9.5 | >50 | 8 2.2 | 7 | – | – | – | – | – | 34 9.5 | 33 | 8 2.2 | 6 |
| 10 250 | 34 9.5 | >50 | 16 4.4 | 28 | 34 9.5 | 43 | 16 4.4 | 19 | 19 | 34 9.5 | 33 | 16 4.4 | 14 |
| 15 390 | 24 6.7 | >50 | 14 3.9 | 16 | – | – | – | – | – | 24 6.7 | 30 | 14 3.9 | 15 |
| 20 500 | 24 6.7 | >50 | 11 3.1 | 12 | – | – | – | – | – | 24 6.7 | 36 | 11 3.1 | 14 |
| 25 640 | 34 9.5 | >50 | 8 2.2 | 7 | 34 9.5 | 37 | 8 2.2 | 7 | 7 | 34 9.5 | 33 | 8 2.2 | 6 |
| 30 750 | 24 6.7 | >50 | 14 3.9 | 16 | – | – | – | – | – | 24 6.7 | 30 | 14 3.9 | 15 |
| 40 1000 | 24 6.7 | >50 | 11 3.1 | 12 | – | – | – | – | – | 24 6.7 | 36 | 11 3.1 | 12 |
| 50 1250 | 34 9.5 | >50 | 8 2.2 | 7 | 34 9.5 | 37 | 8 2.2 | 7 | 7 | 34 9.5 | 33 | 8 2.2 | 5 |
| 60 1500 | 24 6.7 | 27 | 7 1.8 | 2 | 24 6.7 | 18 | 7 1.8 | 5 | 5 | 24 6.7 | 27 | 7 1.8 | 6 |
| 80 2000 | 19 5.3 | 16 | 5 1.4 | 2 | 19 5.3 | 7 | 5 1.4 | 2 | 2 | 19 5.3 | 16 | 5 1.4 | 3 |

Herbertek www.herbertek.se
info@herbertek.se
+46-18 590510

LIFE

Ranges 2" to 5" 5,000,000 full stroke cycles
 Ranges 10" to 25" 500,000 full stroke cycles
 Ranges 30" to 80" 250,000 full stroke cycles

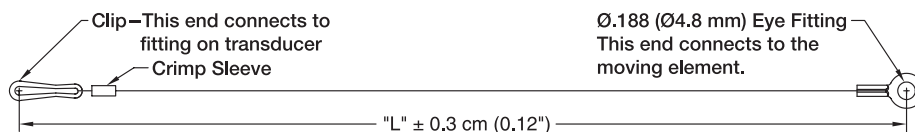
*With 1K ohm potentiometer, wire rope misalignment 2° maximum at full stroke, relatively dust free environment, and with nylon jacketed wire rope

OPTION DESCRIPTIONS

| OPTION | OPTION DESIGNATOR | DESCRIPTION | | | | | | |
|--|----------------------|--|-------|-----------|------------|----------------------|---------------|----------------------|
| Nylon jacketed wire rope | N | Replaces standard stainless steel wire rope with Ø.018 nylon jacketed wire rope. Increases wire rope life dramatically but may increase non-linearity by as much as ±0.05% of full scale. | | | | | | |
| Reduced Wire Rope Tension | 2 | Reduces the overall tension in the wire rope and increases wire rope life. Dynamic response of the transducer is reduced due to the reduced inbound acceleration capability. | | | | | | |
| Increased Wire Rope Tension | 3 | Increases tension in the wire rope which increases the dynamic response of the transducer. On selected units with range of 50" (1250 mm) or less, inbound acceleration capability is 100G's. Wire rope life may be adversely affected by the high tension option. | | | | | | |
| Dust wiper | D | Lubricated wiper strips dust and debris from wire rope as it retracts into case. Adds 0.36" (9 mm) height to wire rope exit location. | | | | | | |
| Non-standard potentiometer (applies to PA series only) | 3,4 | Non-standard potentiometer linearity is as follows: <table border="1" style="margin-left: 20px;"> <thead> <tr> <th>RANGE</th> <th>LINEARITY</th> </tr> </thead> <tbody> <tr> <td>10" to 25"</td> <td>±0.50% of full scale</td> </tr> <tr> <td>30" and above</td> <td>±0.25% of full scale</td> </tr> </tbody> </table> Note: This option is subject to potentiometer availability. | RANGE | LINEARITY | 10" to 25" | ±0.50% of full scale | 30" and above | ±0.25% of full scale |
| RANGE | LINEARITY | | | | | | | |
| 10" to 25" | ±0.50% of full scale | | | | | | | |
| 30" and above | ±0.25% of full scale | | | | | | | |
| Reversed output | R | Output is at a maximum when wire rope is fully retracted. Output decreases as wire rope is extended. Does not apply to velocity or encoder signal. | | | | | | |
| Terminal strip | T | Replaces connector with a terminal strip. | | | | | | |

10067 – AUXILIARY WIRE ROPE EXTENSION KIT

The auxiliary wire rope extension may be used to facilitate mounting the transducer remotely from the measurement point. The clip on the extension attaches to the eye fitting on the transducer. The eye fitting on the opposite end, which is identical to the fitting on the transducer, mounts to the moving element. The extension kit is also available with the clip end unterminated for situations where it is more convenient to size the wire rope length during installation. Clip and crimp fitting are included with the unterminated version.



10067- 1 -CM- 2

- 1 DIMENSION "L"**
Specify Dimension "L" in centimeters to the nearest whole centimeter
NOTES: 1. 1 cm = 0.394", 1 inch = 2.54 cm
 2. Shortest length "L" is 5 cm (approximately 2")
- 2 UNTERMINATED CLIP END**
 Leave Blank.... Completed kit (No designator required)
 U Unterminated Clip End (clip and crimp sleeve included in kit)

REPLACEMENT WIRE ROPE KITS

The replacement Wire Rope Kit includes a new wire rope with all end terminations, wire rope guide, felt dust wiper where applicable and installation instructions. To order, replace 'xx' in the part number with the applicable measurement range in inches.

- 10107-xx Replacement Wire Rope Kit**—Standard Ø.016" Stainless Steel Wire Rope.
- 10108-xx Replacement Wire Rope Kit**—Ø.018" Nylon Jacketed Stainless Steel Wire Rope.
- 10127-xx Replacement Wire Rope Kit**—Standard Ø.016" Stainless Steel Wire Rope with Dust Wiper.
- 10128-xx Replacement Wire Rope Kit**—Ø.018" Nylon Jacketed Stainless Steel Wire Rope with Dust Wiper.

DIMENSIONAL INFORMATION

RANGES TO 50" (1250 MM)

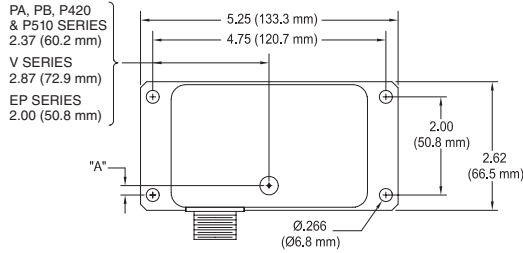
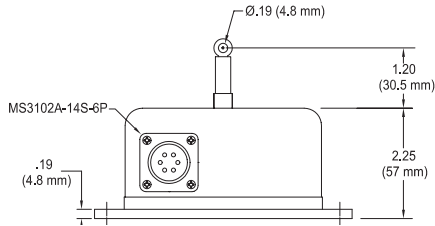


FIG. 1



PA, PB, P420, P510, V Series

| RANGE | DIM "A" |
|--------------|-------------|
| | (inch) (mm) |
| 2", 10" | 0.66 (16.8) |
| 3", 15", 30" | 0.51 (12.9) |
| 4", 20", 40" | 0.35 (8.8) |
| 5", 25", 50" | 0.19 (4.8) |
| 60" | See Fig. 2 |
| 80" | See Fig. 2 |

EP Series

| RANGE | DIM "A" |
|--------------|-------------|
| | (inch) (mm) |
| EP-10 | 0.68 (17.4) |
| EP-25, EP-50 | 0.21 (5.3) |
| EP-60 | See Fig. 2 |
| EP-80 | See Fig. 2 |
| EPM-250 | 0.68 (17.4) |
| EPM-1250 | 0.21 (5.3) |

Dimensions in brackets are millimeters

RANGES 60" (1.5 M) AND 80" (2 M)

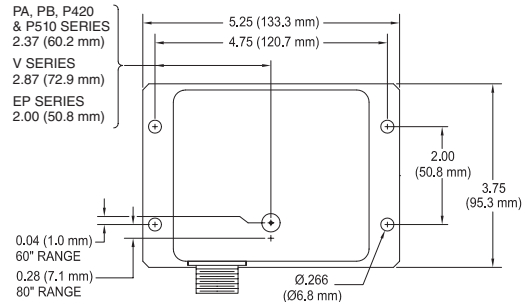
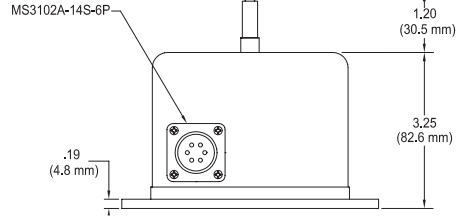


FIG. 2



Dimensions in brackets are millimeters