

OUTPUT OPTION	OUTPUT	SUPPLY
A	0.5 TO 4.5V RATIO METRIC	5V
C	0.5 TO 9.5V	24V
G	0.5 TO 4.5V	24V

STANDARD }  
 BUFFERED }  
 SUPPLY CURRENT 12mA TYP. 20mA MAX.

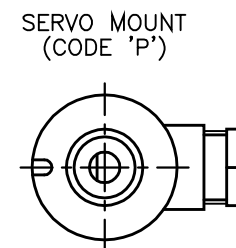
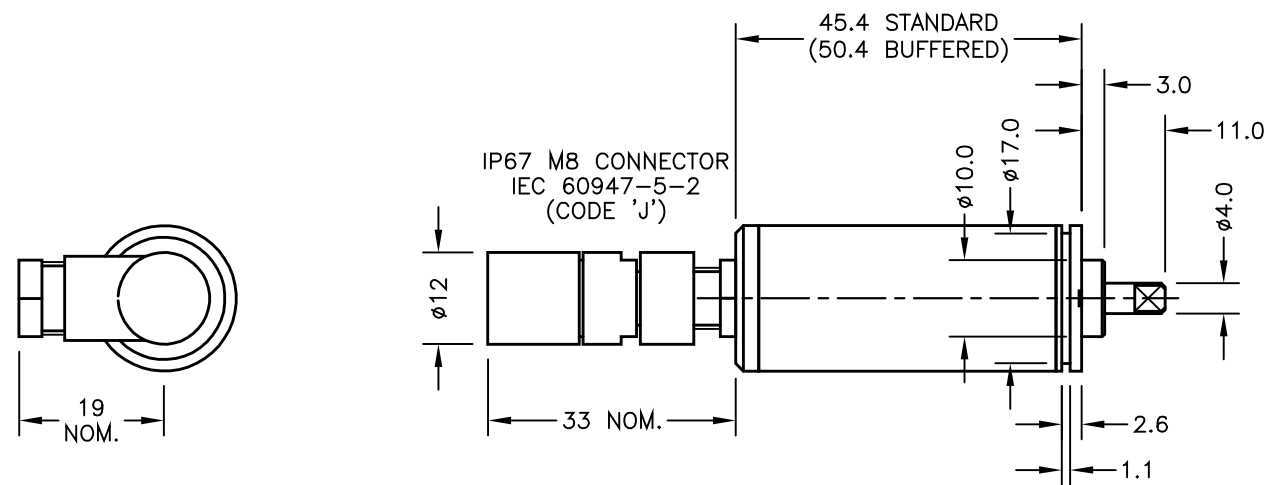
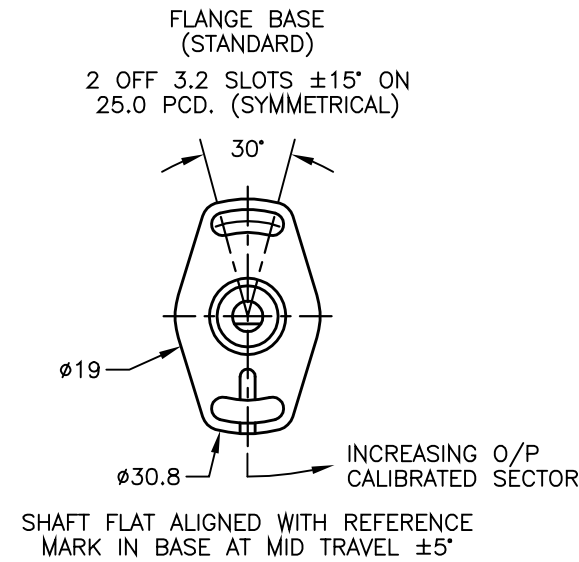
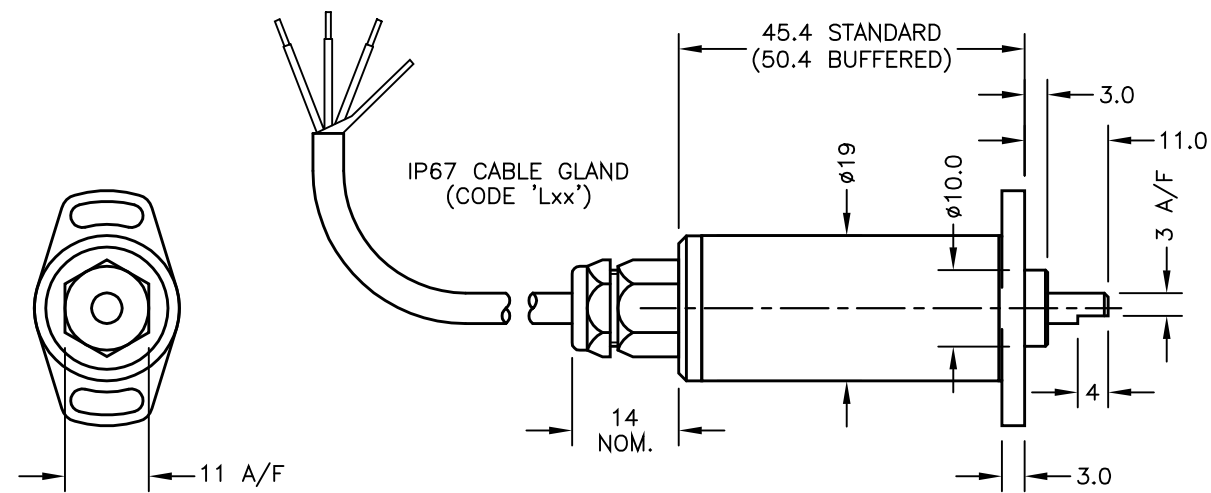
CABLE: 0.2mm<sup>2</sup>, O/A SCREEN, PUR JACKET - SUPPLIED WITH 50cm OR REQUIRED LENGTH IN cm. e.g. 'L50'  
 3-CORE: JACKET Ø4mm

CABLE/CONNECTOR\* CONNECTIONS;

3 CORE CONNECTOR		
RED	:1	+Ve
BLACK	:3	0V
WHITE	:2	OUTPUT
SCREEN	:4	BODY

\*CONNECTORS; MAXIMUM CONDUCTOR CROSS SECTION 0.25mm<sup>2</sup>  
 RANGE OF DISPLACEMENT FROM 15° TO 160°, IN INCREMENTS OF 1°.

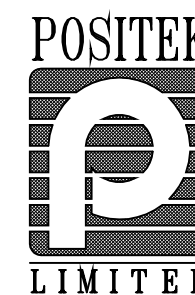
BODY MATERIAL: STAINLESS STEEL.  
 FLANGE BASE MATERIAL:- ALUMINIUM.  
 SERVO MOUNT MATERIAL:- ALUMINIUM.

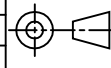
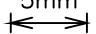


A	FIRST ISSUE	RDS
B	REF MARK MOVED 180°	RDS
C	RANGE WAS 20° TO 160° RAN 442	RDS
D	SHAFT LENGTH REDUCED 0.5 - RAN538.	PDM
E	SERVO MOUNT SHOWN AT MID POSITION	RDS
F	OPTION 'J' ADDED - RAN1068.	PDM

DRAWINGS NOT TO BE CHANGED WITHOUT REFERENCE TO THE CHANGE PROCEDURE.  
 CHANGES TO PARTS USED IN INTRINSICALLY SAFE PRODUCT MUST BE APPROVED BY THE AUTHORISED PERSON  
 THIS IS AN UNCONTROLLED PRINT AND WILL NOT BE UPDATED.

**Herbertek** www.herbertek.se  
 info@herbertek.se  
 +46-18 590510



A	09/08/07		CHECKED BY	X	±0.4
B	22/10/07		RDS	X.X	±0.2
C	20/11/13			X.XX	±0.1
					DIMS mm
D	21/01/15	DESCRIPTION			
E	7/4/15	P505 RIPS MINIATURE			
F	02/12/15	ROTARY SENSOR			
SCALE					DRAWING NUMBER
5mm					P505-11
					REV F
SHEET 1 OF 1					