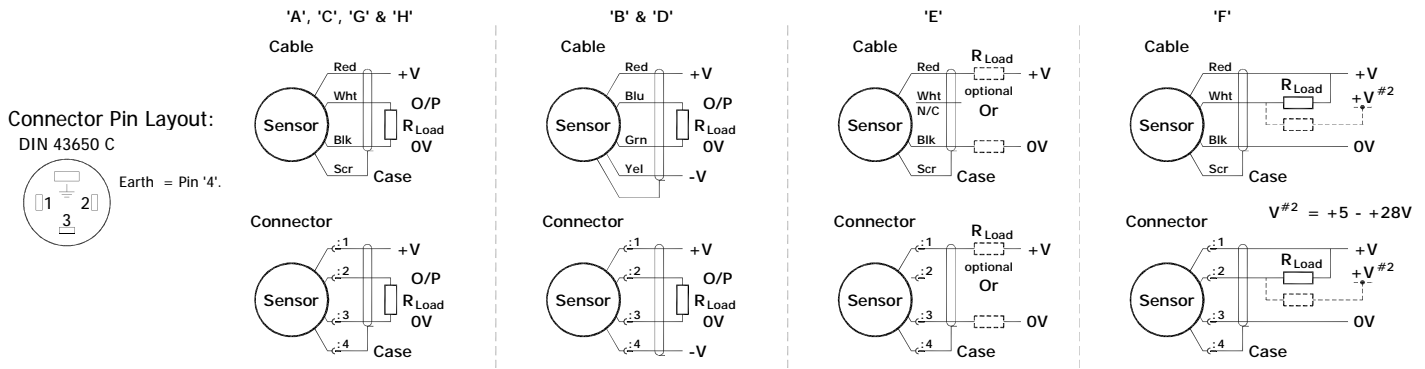


Installation Information

RIPS[®] P502 SMALL ANGLE ROTARY SENSOR

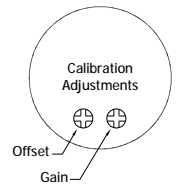
| Output Option | Output Description: | Supply Voltage: V_s (tolerance) | Load resistance: (include leads for 4 to 20mA O/Ps) |
|---------------|--------------------------------------|--------------------------------------|---|
| A | 0.5 - 4.5V (ratiometric with supply) | +5V (4.5 - 5.5V) | $\geq 5k\Omega$ |
| B | $\pm 5V$ | $\pm 15V$ nom. ($\pm 9 - 28V$) | $\geq 5k\Omega$ |
| C | 0.5 - 9.5V | +24V nom. (13 - 28V) | $\geq 5k\Omega$ |
| D | $\pm 10V$ | $\pm 15V$ nom. ($\pm 13.5 - 28V$) | $\geq 5k\Omega$ |
| E | 4 - 20mA 2 wire Current Loop | +24V nom. (18 - 28V) | $\approx 0 - 300\Omega$ max. @24V ~ 1.2 to 6V across 300 Ω $\{R_L \text{ max.} = (V_s - 18) / 20^{-3}\}$ |
| F | 4 - 20mA 3 wire Sink | +24V nom. (13 - 28V) | $\approx 0 - 950\Omega$ max. @24V ~ 3.8 to 19V across 950 Ω $\{R_L \text{ max.} = (V_s - 5) / 20^{-3}\}$ |
| G | 0.5 - 4.5V | +24V nom. (9 - 28V) | $\geq 5k\Omega$ |
| H | 4 - 20mA 3 wire Source | +24V nom. (13 - 28V) | $\approx 0 - 300\Omega$ max. ~ 1.2 to 6V across 300 Ω |

Not all output options available - see product datasheet for full options list



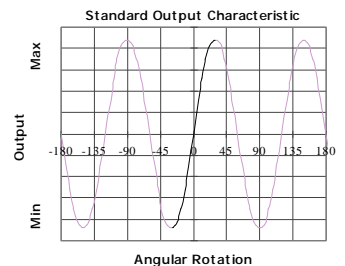
Gain and Offset Adjustment: (Where accessible - Typically $\pm 10\%$ Min available)

To adjust the gain or offset use a small potentiometer adjuster or screwdriver 2mm across. Do not apply too much force on the potentiometers. The offset is set at mid span at the mid point, within $\pm 5^\circ$, of rotation.



Mechanical Mounting: Flange mounted or servo mount, with appropriate clips, options. The flange slots are 4.5mm by 30 degrees wide on a 48mm pitch. The sensor should be mounted with minimal axial and radial loading on the shaft for optimum life. It is recommended that the shaft is coupled to the drive using a flexible coupling. Tests indicate that life in excess of 16 million cycles can be achieved with 1kg side and end load.

Output Characteristic: The sensor has full rotational freedom and six sectors, 60° apart, over which linear response can be achieved. At the mid point of the calibrated range the output signal will be half full scale deflection, and the flat on the shaft is aligned with the registration mark in the base of the sensor. In the calibrated range the output increases as the shaft is rotated in an anti-clockwise direction viewed from the shaft. The calibrated output is factory set to be between 5 and 15° .



Incorrect Connection Protection levels:-

- A **Not protected** – the sensor is **not** protected against either reverse polarity or over-voltage. The risk of damage should be minimal where the supply current is limited to less than 50mA.
- B & D Supply leads diode protected. Output must not be taken outside $\pm 12V$.
- C & G Supply leads diode protected. Output must not be taken outside 0 to 12V.
- E, F & H Protected against any misconnection within the rated voltage.