

ELECTRICAL OPTIONS/ SPECIFICATIONS		
OUTPUT OPTION	OUTPUT	SUPPLY
A	0.5 TO 4.5V RATIOMETRIC	5V
C	0.5 TO 9.5V	24V
G	0.5 TO 4.5V	24V

STANDARD }
 BUFFERED }

SUPPLY CURRENT 12mA TYP. 20mA MAX.

CABLE: 0.2mm², O/A SCREEN, PUR JACKET - SUPPLIED WITH 50cm OR REQUIRED LENGTH IN cm. e.g. 'L50'

3-CORE: JACKET Ø4mm

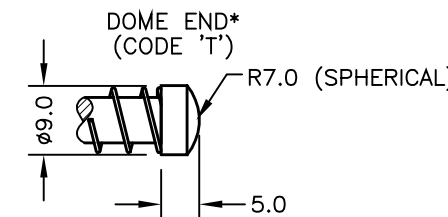
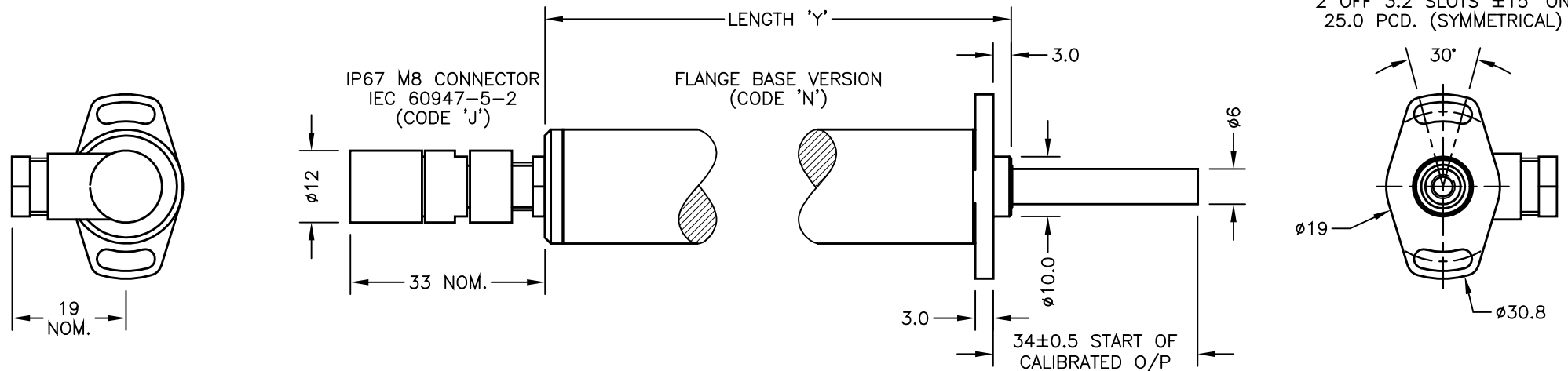
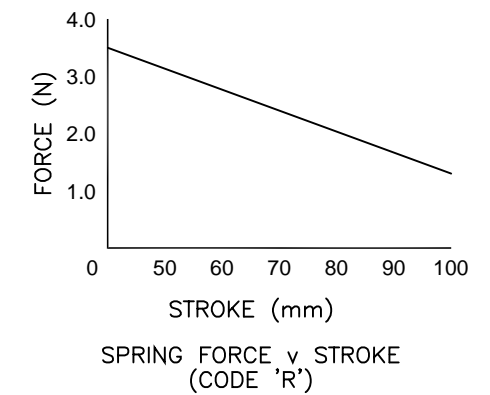
CABLE/CONNECTOR* CONNECTIONS;
 3 CORE CONNECTOR
 RED :1 +Ve
 BLACK :3 0V
 WHITE :2 OUTPUT
 SCREEN :4 BODY

*CONNECTORS; MAXIMUM CONDUCTOR CROSS SECTION 0.25mm²
 RANGE OF DISPLACEMENT FROM 51 TO 100mm, IN INCREMENTS OF 1mm.

BODY MATERIAL:- STAINLESS STEEL.
 FLANGE BASE MATERIAL:- STAINLESS STEEL (CODE 'N')

FURTHER OPTIONS:
 SINGLE PAIR OF BODY CLAMPS (CODE 'P')
 SPRUNG PLUNGER, TO EXTENDED POSITION (CODE 'R')
 DOME END (CODE 'T') IN CONJUNCTION WITH SPRUNG PLUNGER (CODE 'R')*

PLUNGER FREE (CODE 'V')
 N.b. NOT AVAILABLE WITH SPRUNG OPTIONS.



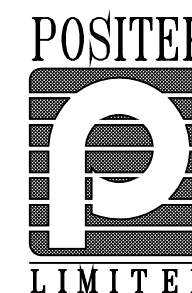
NOTE: SENSORS ARE MADE IN FOUR STANDARD LENGTHS.

TRAVEL: (mm)		BODY LENGTH: (mm)	
CALIBRATED	MECHANICAL	'X' STANDARD	'Y' FLANGE
51 - 70	70	132.5	138.0
71 - 100	100	162.5	168.0

THE PLUNGER RETRACTS 8mm FROM START OF CALIBRATED TRAVEL (2mm FOR SPRUNG VERSIONS) AND EXTENDS 11mm* BEYOND END OF MECHANICAL TRAVEL. *DOES NOT INCLUDE DIFFERENCE BETWEEN CALIBRATED AND MECHANICAL TRAVEL, DIMENSIONS ARE NOMINAL.
 'V' CODED PLUNGER WILL DEPART SENSOR BODY.

DRAWINGS NOT TO BE CHANGED WITHOUT REFERENCE TO THE CHANGE PROCEDURE.
 CHANGES TO PARTS USED IN INTRINSICALLY SAFE PRODUCT MUST BE APPROVED BY THE AUTHORISED PERSON
 THIS IS AN UNCONTROLLED PRINT AND WILL NOT BE UPDATED.

Herbertek www.herbertek.se
 info@herbertek.se
 +46-18 590510



A	25/11/15	CHECKED BY	X ±0.4 X.X ±0.2 X.XX ±0.1 DIMS mm
		RDS	
DESCRIPTION			
P138 MID STROKE SLIM-LINE LINEAR POSITION SENSOR			
SCALE		DRAWING NUMBER	
10mm		P138-11	
		REV A	
		SHEET 1 OF 1	

A	FIRST ISSUE - RAN1063/RAN1068.	PDM