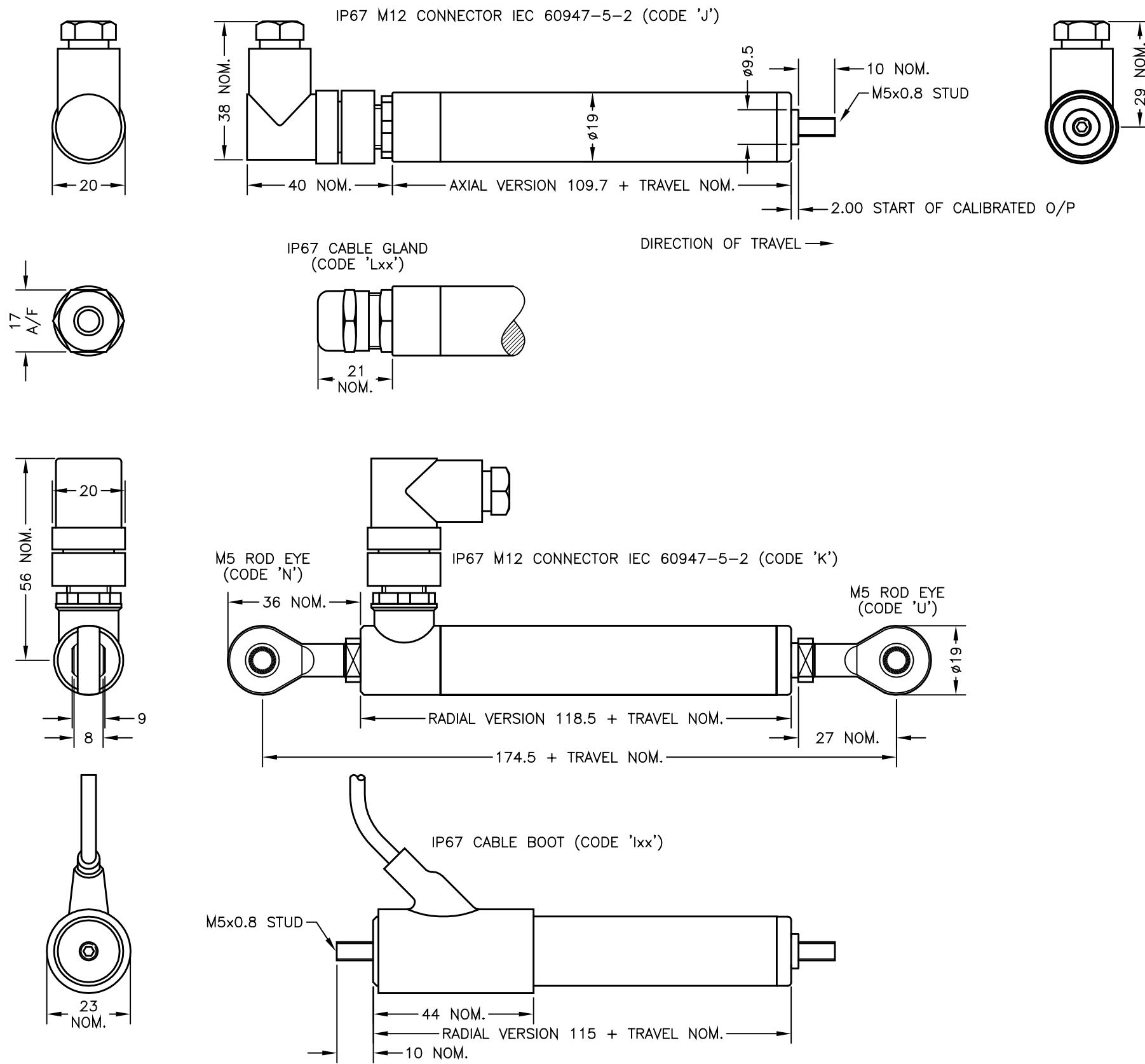


N.b. ROD-EYE ORIENTATION NOT GUARANTEED.



**ELECTRICAL OPTIONS/ SPECIFICATIONS**

OUTPUT OPTION	OUTPUT	SUPPLY
A	0.5 TO 4.5V RATIO METRIC	5V
C	0.5 TO 9.5V	24V
G	0.5 TO 4.5V	24V

STANDARD }  
 BUFFERED }

SUPPLY CURRENT 12mA TYP. 20mA MAX.

CABLE: 0.2mm<sup>2</sup>, O/A SCREEN, PUR JACKET - SUPPLIED WITH 50cm OR REQUIRED LENGTH IN cm. e.g. 'L50'  
 3-CORE: JACKET Ø4mm

CABLE/CONNECTOR\* CONNECTIONS;  
 3 CORE CONNECTOR

RED	:1	+Ve
BLACK	:3	0V
WHITE	:2	OUTPUT
SCREEN	:4	BODY

\*CONNECTORS; MAXIMUM CONDUCTOR CROSS SECTION 0.75mm<sup>2</sup>  
 RANGE OF DISPLACEMENT FROM 5mm TO 350mm, IN INCREMENTS OF 1mm.  
 BODY MATERIAL: STAINLESS STEEL.  
 FURTHER OPTIONS:  
 SINGLE PAIR OF BODY CLAMPS 'P'  
 TWO PAIRS OF BODY CLAMPS 'P2'  
 PUSH-ROD FREE (CODE 'V')

C	CONNECTOR OPTIONS ADDED, ROD-EYE DIMS CORRECTED - RAN259	RDS
D	ADDITIONAL DIMS/VEWS ADDED.	PDM
E	OPTION J IP67 CONN.	PDM
F	BODY CLAMP OPTIONS ADDED - RAN505.	PDM
G	RANGE WAS 10-350mm RAN1056	RDS
H	PUSH-ROD DIA. ADDED - RAN1083	PDM

THE PUSH-ROD RETRACTS AND EXTENDS 2mm NOM. AT EITHER END OF CALIBRATED TRAVEL.  
 'V' CODED PUSH-ROD WILL DEPART SENSOR BODY.

DRAWINGS NOT TO BE CHANGED WITHOUT REFERENCE TO THE CHANGE PROCEDURE.  
 CHANGES TO PARTS USED IN INTRINSICALLY SAFE PRODUCT MUST BE APPROVED BY THE AUTHORISED PERSON  
 THIS IS AN UNCONTROLLED PRINT AND WILL NOT BE UPDATED.

**Herbertek** www.herbertek.se  
 info@herbertek.se  
 +46-18 590510



C	09/12/09	CHECKED BY X RDS	X ±0.4
D	06/07/11		X.X ±0.2
E	04/05/12		X.XX ±0.1
F	25/07/14	DESCRIPTION	
G	9/11/15	P117 LIPS SLIM-LINE	
H	13/04/16	LINEAR POSITION SENSOR	
SCALE		DRAWING NUMBER	REV
12.5mm			
		SHEET 1 OF 1	