

ELECTRICAL OPTIONS/ SPECIFICATIONS

OUTPUT	SUPPLY (NOM.)
'A' 0.5 - 4.5V RATIOMETRIC	5V
'C' 0.5 - 9.5V	24V
'G' 0.5 - 4.5V	24V
SUPPLY CURRENT 12mA TYP. 20mA MAX.	
'H' 4 TO 20mA SOURCE†	24V
† DRIVE 300Ω MAXIMUM TO 0V	

CONNECTIONS; CABLE 3-CORE

+Ve	RED
0V	BLACK
-Ve	-
OUTPUT	WHITE
BODY	SCREEN

CABLE; 0.2mm<sup>2</sup>, O/A SCREEN, PUR JACKET. O/D; 3-CORE: Ø4mm,

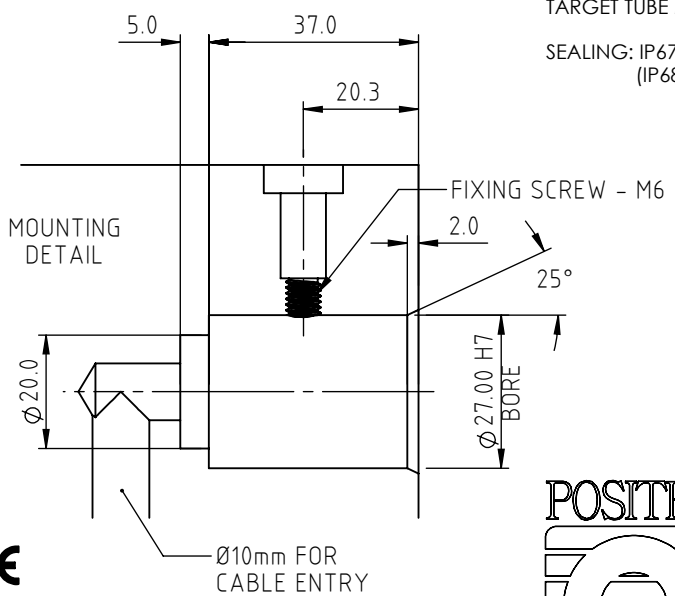
SUPPLIED WITH 50cm OR REQUIRED LENGTH IN cm. e.g. 'L50'  
CONNECTORS; MAXIMUM CONDUCTOR CROSS SECTION 0.25mm<sup>2</sup>

SENSOR IS MANUFACTURED TO A SPECIFIC LENGTH AND MEASUREMENT RANGE SPECIFIED BY THE CUSTOMER UP TO A MAXIMUM MEASUREMENT RANGE OF 600mm.

BODY MATERIAL:- STAINLESS STEEL.

TARGET TUBE OPTIONS:  
MATERIAL: OPTION 'R' - STAINLESS STEEL 16 Ø9.45  
OPTION 'S' - ALUMINIUM 6063 Ø3/8" (9.2-9.8mm)  
TARGET TUBE FLANGE OPTIONS: SEE DRAWING TG24-11  
TARGET TUBE MOUNTING ARRANGEMENTS: SEE DRAWING P100-12

SEALING: IP67 AS STANDARD  
(IP68 VERSION AVAILABLE ON REQUEST)

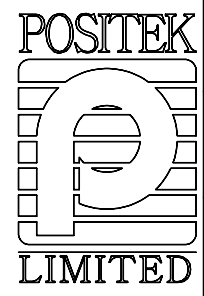


DRAWINGS NOT TO BE CHANGED WITHOUT REFERENCE TO THE CHANGE PROCEDURE.  
CHANGES TO PARTS USED IN INTRINSICALLY SAFE PRODUCT MUST BE APPROVED BY THE AUTHORISED PERSON.  
THIS IS AN UNCONTROLLED PRINT AND WILL NOT BE UPDATED.

REV	CHANGE HISTORY	DR'WN	DATE	CHK'D
A	FIRST RELEASE	ASC	08/09/2020	



**Herbertek** www.herbertek.se  
info@herbertek.se  
+46-18 590510



APPROVED BY	REV		X	±0.4
	A		X.X	±0.2
			X.XX	±0.1
DIM5 mm				
DESCRIPTION				
LIPS P116 INTERNALLY MOUNTED CYLINDER SENSOR				
SCALE	3:4	DRAWING NUMBER		
A4		P116-11		
SHEET 1 OF 1				