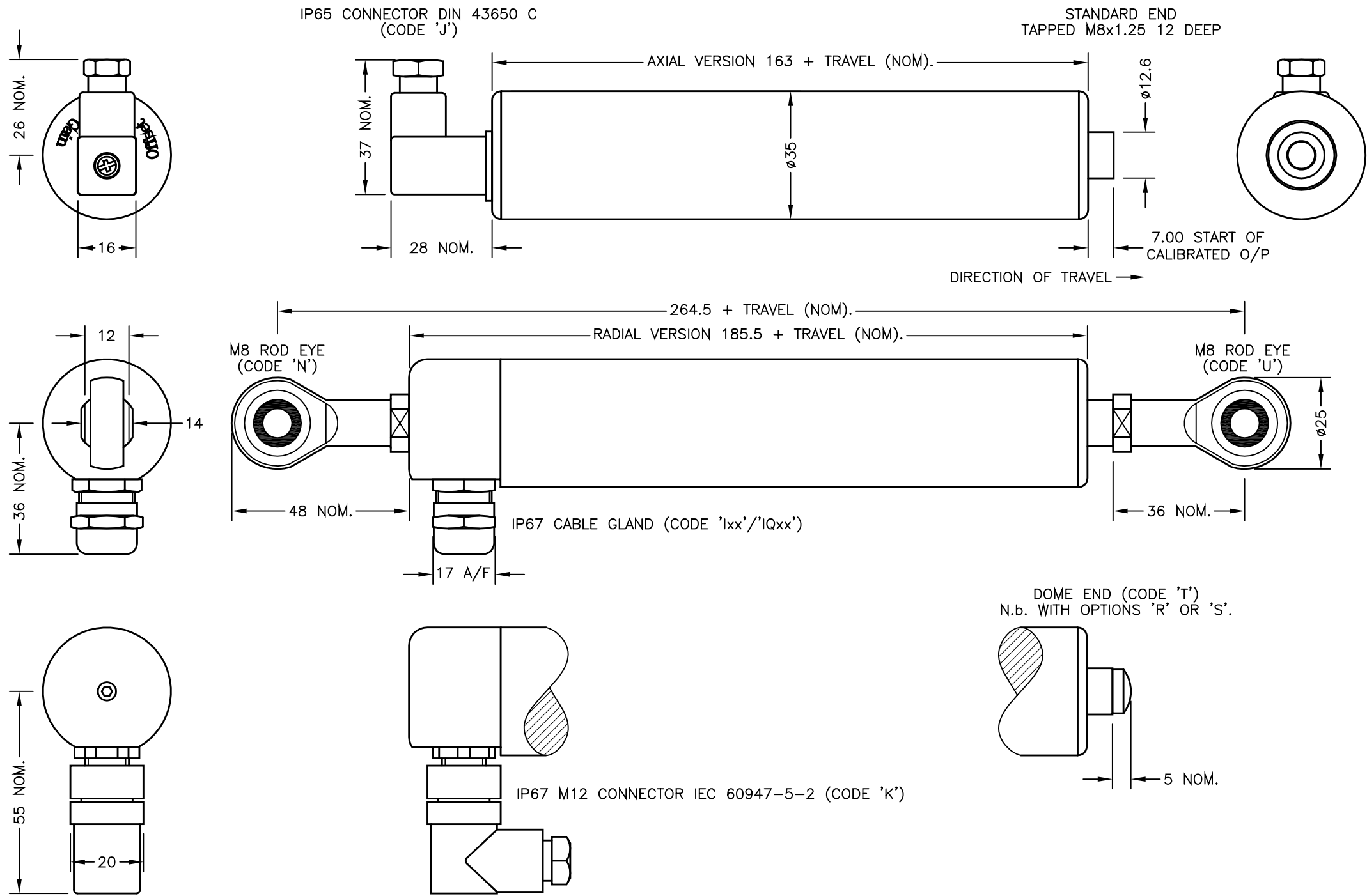


N.b. ROD-EYE ORIENTATION NOT GUARANTEED.



ELECTRICAL OPTIONS/ SPECIFICATIONS

OUTPUT OPTION	OUTPUT	SUPPLY	
A	0.5 TO 4.5V RATIO METRIC	5V	STANDARD
B	±5V	±15V	
C	0.5 TO 9.5V	24V	
D	±10V	±15V	BUFFERED
E	0.5 TO 4.5V	24V	
F	SUPPLY CURRENT 12mA TYP. 20mA MAX.		
G	4 TO 20mA 2-WIRE	24V	
H	4 TO 20mA 3-WIRE SINK	24V	
	4 TO 20mA 3-WIRE SOURCE	24V	

SINK VERSION OUTPUT COMPLIANCE 5-28V
SOURCE VERSION DRIVE 300Ω MAX TO 0V

CABLE: 0.2mm², 0/A SCREEN, PUR JACKET - SUPPLIED WITH 50cm OR REQUIRED LENGTH IN cm. e.g. 'L50'

3-CORE: JACKET Ø4mm
4-CORE: JACKET Ø4.6mm

CABLE/CONNECTOR* CONNECTIONS;
3 CORE 4 CORE CONNECTOR

RED	RED	:1	+Ve
BLACK	GREEN	:3	0V
WHITE	YELLOW	:4	-Ve - OPTIONS: B OR D
SCREEN	BLUE	:2	OUTPUT
SCREEN	SCREEN	:4	BODY - OPTIONS: A, C, E-H

*CONNECTORS; MAXIMUM CONDUCTOR CROSS SECTION 0.75mm²
RANGE OF DISPLACEMENT FROM 5mm TO 800mm, IN INCREMENTS OF 1mm.

BODY MATERIAL: STAINLESS STEEL.

FURTHER OPTIONS:

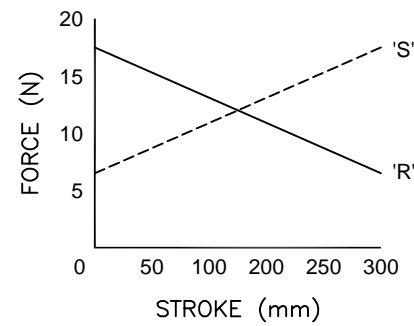
SINGLE PAIR OF BODY CLAMPS 'P'
TWO PAIRS OF BODY CLAMPS 'P2'

SPRING RETURN PUSH-ROD, TRAVEL ≤300mm
RETURN TO EXTENDED POSITION (CODE 'R')

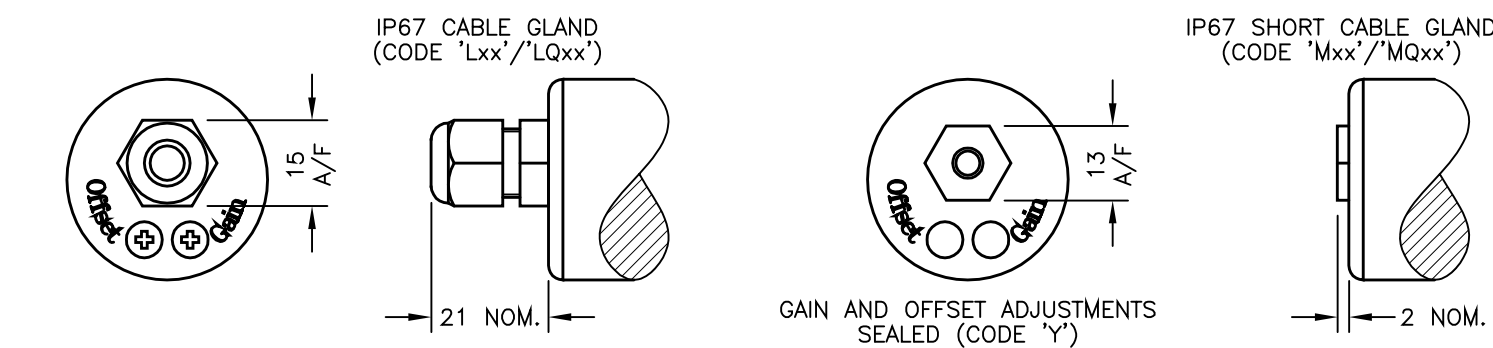
RETURN TO RETRACTED POSITION (CODE 'S')

PUSH-ROD FREE (CODE 'V') - NOT AVAILABLE WITH SPRUNG OPTIONS.

GAIN AND OFFSET ADJUSTMENTS NOT AVAILABLE WITH RADIAL BODY, CODE 'ixx' AND 'k', OPTIONS.



SPRING FORCE v STROKE (CODE 'R' OR 'S')



I	ADDITIONAL DIMS/VIEWS ADDED.	PDM
J	RADIAL ENDCAP MODIF'D - RAN 335	PDM
K	SPRUNG OPTIONS 300 WAS 250 - RAN 473.	PDM
L	OPTIONS 'R' & 'S' OVER TRAVEL DIMS MODIFIED - RAN1030.	PDM
M	RANGE WAS 50-600mm RAN1056	RDS

THE PUSH-ROD RETRACTS A FURTHER 4mm NOM. FROM START OF CALIBRATED TRAVEL. STANDARD VERSIONS THE PUSH-ROD EXTENDS A FURTHER 8mm NOM. FROM END OF CALIBRATED TRAVEL, FOR SPRUNG VERSIONS: 'R': 1mm, 'S': 2mm. 'V' CODED PUSH-ROD WILL DEPART SENSOR BODY.

DRAWINGS NOT TO BE CHANGED WITHOUT REFERENCE TO THE CHANGE PROCEDURE. CHANGES TO PARTS USED IN INTRINSICALLY SAFE PRODUCT MUST BE APPROVED BY THE AUTHORISED PERSON. THIS IS AN UNCONTROLLED PRINT AND WILL NOT BE UPDATED.

Herbertek www.herbertek.se
info@herbertek.se +46-18 590510



I	05/07/11	CHECKED BY X PDM	X ±0.4
J	08/03/13		X.X ±0.2
K	08/04/14		X.XX ±0.1
L	28/07/15	DESCRIPTION	
M	9/11/15	P111 LIPS RUGGED STAND ALONE LINEAR POSITION SENSOR	
SCALE	13mm	DRAWING NUMBER	P111-11 REV M
			SHEET 1 OF 1