

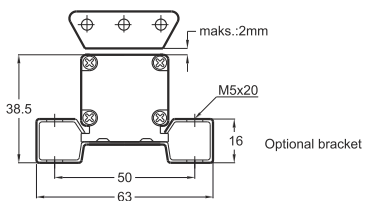
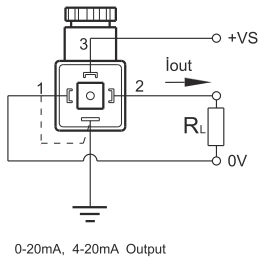
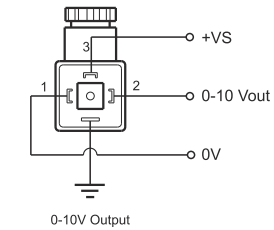
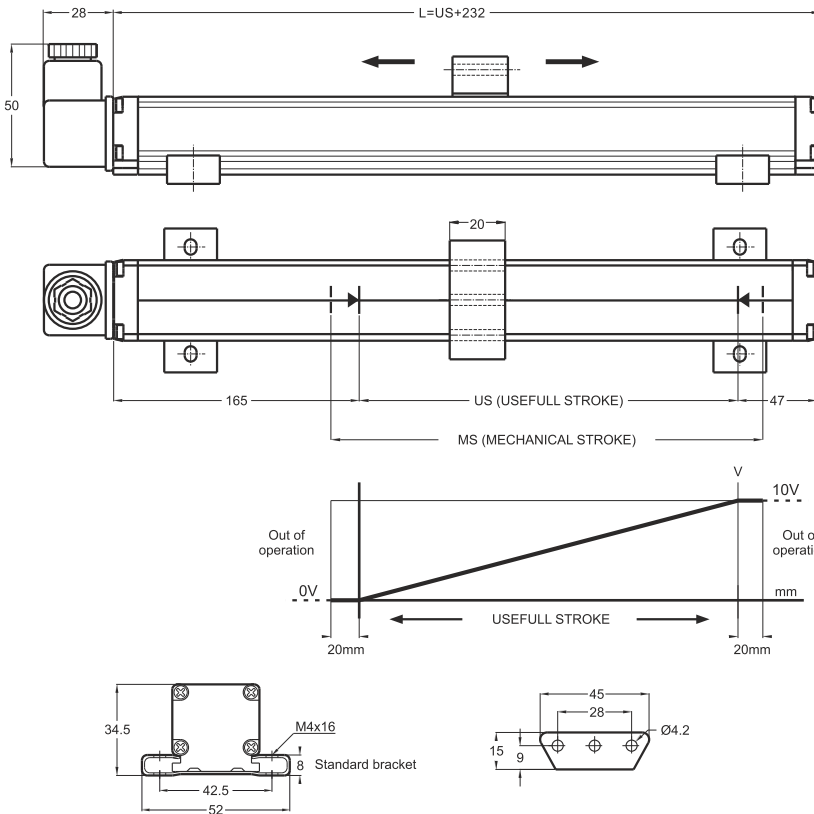
**Magnetostrictive Position Sensor**

- Measuring range 100 - 2000 mm
- 16 bit resolution
- Output 0...10 V, 0...20 mA, 4...20 mA  
 10...0 V, 20...0 mA, 20-4 mA
- 24 VDC power supply



**Technical specifications**

Measurement stroke	100 to 2000 mm
Resolution	16 bit DAC output
Repeatability	±0,005% (full scale)
Output	0 - 10 V, 4 - 20 mA, 0 - 20 mA, 10 - 0 V, 20 - 4 mA, 20 - 0 mA
Power supply	24 VDC ±10%
Displacement speed	< 10 m/s
Sampling rate	1 KHz
Max. consumption	(50 mA - 90 mA) depending on stroke length
Max. output noise	< 5 mVpp
Max. output value	10.5 Volt
Linearity	±0,02% full scale (min. 100 µm)
Update time	0,5 ms up to 1000 m / 0,8 ms up to 2000 m
Reverse polarity protection	Up to -30 VDC
Overvoltage protection	Up to 40 VDC



MSS (mm)	100	150	200	250	300	350	400	450	500	550	600	650	700	750	800	850	900	1000	1100	1200	1300	1400	1500	1600	1700	1800	1900	2000
US (Usefull Stroke)	120	170	220	270	320	370	420	470	520	570	620	670	720	770	820	870	920	1020	1120	1220	1320	1420	1520	1620	1720	1820	1920	2020
MS (Mechanical Stroke)	160	210	260	310	360	410	460	510	560	610	660	710	760	810	860	910	960	1060	1160	1260	1360	1460	1560	1660	1760	1860	1960	2060
L (Total Length)	332	382	432	482	532	582	632	682	732	782	832	882	932	982	1032	1082	1132	1232	1332	1432	1532	1632	1732	1832	1932	2032	2132	2232

Model	Measurement stroke	Resolution	Output	Connector / Cable
(example) MSS	300	A	V10	C1
MSS	100 ... 2000 mm	A: 16 bit	V10: 0 - 10 V V01: 10 - 0 V I40 : 4 - 20 mA I20 : 0 - 20 mA I04 : 20 - 4 mA V11: 0 - 10 V / 10 - 0 V I41 : 4 - 20 mA / 20 - 4 mA I21 : 0 - 20 mA / 20 - 0 mA	C1: 4 pin connector