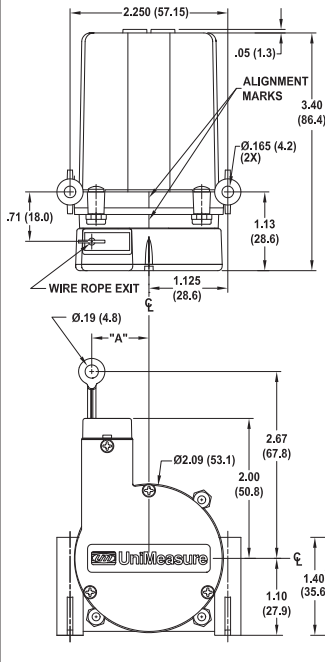


## DIMENSIONAL INFORMATION

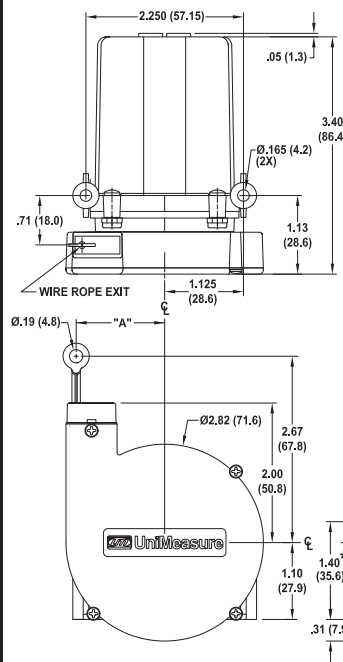


**RANGES TO 50" (1250 MM)**

**TABLE A**

RANGE	Dim A		Nominal Cable Tension	
	(in)	(mm)	(oz)	(N)
2,10	.36	9.1	16	4.4
2.8,15,30	.50	12.7	14	3.9
3.8,20,40	.66	16.7	11	3.1
4.7,25,50	.82	20.8	8	2.2

**FIG 1**



**RANGES 60 & 80" (1250 MM)**

**TABLE B**

RANGE	Dim A		Nominal Cable Tension	
	(in)	(mm)	(oz)	(N)
60	.98	24.9	10	2.8
80	1.28	32.5	8.6	2.4

**FIG 2**

Dimensions in brackets are millimeters.

\*Mounting screws must accommodate this distance.

Dimensions in brackets are millimeters.

\*Mounting screws must accommodate this distance.

### SPECIFICATIONS

Input Impedance (1K Pot) .....1000 ohms  $\pm$ 15%  
 Excitation Voltage.....30 V Max.  
 Output Impedance (1K Pot) .....0 to 1000 ohms  
 Linearity:  
 Ranges to 4.7" ..... $\pm$ 1.0% Full Scale  
 10" to 25" range..... $\pm$ 0.5% Full Scale  
 30" to 80" range..... $\pm$ 0.25% Full Scale  
 Operating Temperature .....-25°C to 75°C  
 Storage Temperature.....-50°C to 80°C

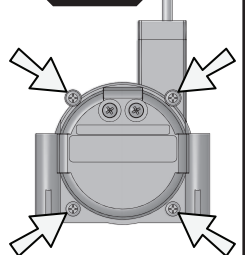
### ELECTRICAL CABLE WIRING



### ROTATION OF WIRE ROPE EXIT

To rotate wire rope exit location, loosen four screws (See FIG 5, which retain mechanism to mounting housing). Note that alignment marks on mechanism occur at 45° intervals. Rotate housing to desired position and torque screws to 50 oz-in (0.35 N-m).

**FIG 5**



### MOUNTING

- To maximize wire rope life, align transducer with moving element so that wire rope exits perpendicular to axis of wire rope exit hole within 2° (See FIG 3).
- Use Table A or B to determine wire rope exit location relative to transducer mounting holes.
- Mount unit with two #8 or two M4 (or smaller) pan head machine screws. On units with ranges of 60" (1500 mm) or 80" (2000 mm), place spacer blocks under mounting surface (See FIG 2). Torque 8-32 screws to 8 lb-in maximum. Torque M4 screws to 0.80 N-m maximum.

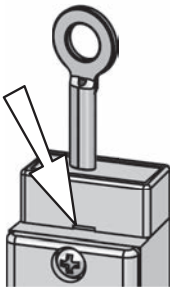
**FIG 3**



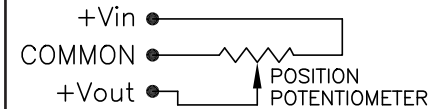
### REPLACEMENT WIRE ROPE WIPERS

The JX transducer contains wire rope dust wipers which are located just beneath the wire rope exit location. Periodic, replacement of the dust wipers may be necessary depending upon the amount of dust in the operating environment. To access the dust wipers, remove the dust wiper cover by placing a small blade screwdriver into the slot as shown in FIG 4 and pry upward while squeezing the ends of the cover. The wipers may be removed with tweezers and cleaned or replaced. The replacement wiper kit which contains six pair of prelubricated wipers is UniMeasure part number 10198. To install replacement wipers, place a wiper into wiper opening on both sides of the wire rope. Press wiper cover into place until detented.

**FIG 4**



### CIRCUIT DIAGRAM



### CONNECTOR WIRING

As viewed on transducer and on cable attachment side of mating connector.



**Herbertek** www.herbertek.se  
 info@herbertek.se  
 +46-18 590510

**um UniMeasure**

4175 SW Research Way, Corvallis, Oregon, 97333  
 Tel: (541) 757-3158 Fax (541) 757-0858