

Efficient, cost-effective gas engine ignition module

- Compact ignition module for 1-6 cylinders
- For gas engines up to 13L or 800 in³
- Up to 1500 microseconds continuous spark duration
- Inductive ignition technology
- Improved combustion assists emissions reduction
- Single pickup timing input
- Free, easy to use Windows® based software



SUMMARY

This economical ignition module is designed for engines from 1 to 6 cylinders including rich-burn, lean-burn, naturally aspirated or turbocharged versions.

Fuel types such as natural gas, propane, LPG, landfill, digester and other biogas fuels are also compatible. Program adjustments to optimize engine performance are easy with the Windows® based software. The GT 6 uses a single inductive pickup for timing input, which can be the Gill timing disc and standard pickup, existing OEM cam disc, A5 conversion kit or a drilled flywheel pattern for wasted spark firing. Use with SM 60 series coils or other Gill approved inductive coils

GT6 SPECIFICATION

Number of cylinders	1 - 6
Power	12 / 24V DC, 5 Amp
Spark energy / duration	500 to 1,500 μ Seconds continuous spark duration
Maximum RPM	4000
Timing	Global, dual fuel
Timing maps	Single inductive pickup
Software	Windows® Based - available in multi-level security versions - basic to advanced Gillfire Software
Programming	File set-up, save, send, store. Configuration files can be saved, or emailed
Logging	Verification and troubleshooting - Files can be emailed for additional review by support staff
Communications	RS 232, DB 9 female connection
Features	Tach output signal
Visual features	Integrated LED lights
Application	Engines up to 13 L (800 in ³)
Environmental	-40° to +90°C sealed to IP67

Herbertek

www.herbertek.se
info@herbertek.se
+46-18 590510

> More information at gillsc.com

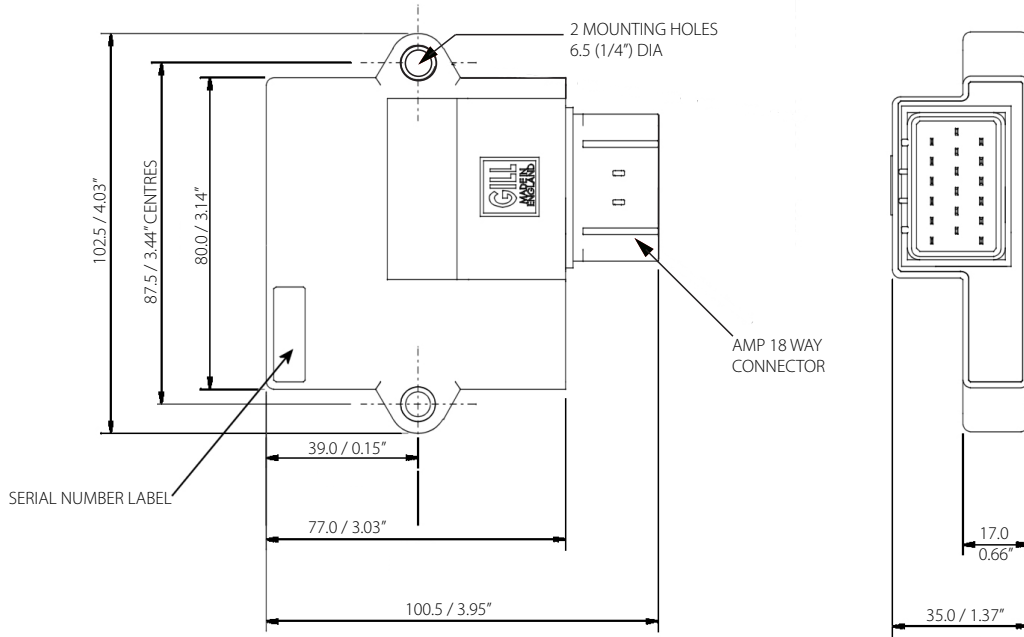
E support@gillsc.com

T +44 (0)1590 613900

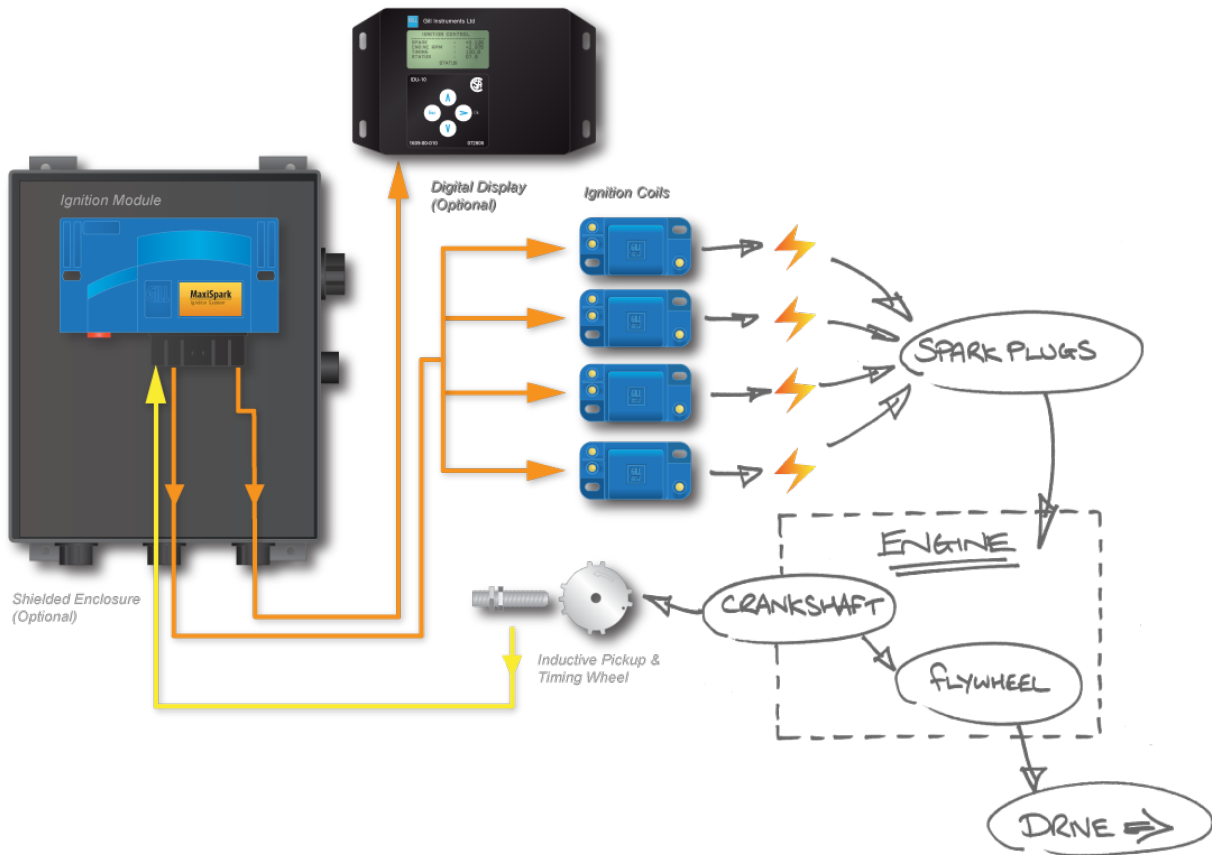
GILL

Sensors & Controls

DIMENSIONS



TYPICAL SYSTEM INSTALLATION



Herbertek www.herbertek.se
info@herbertek.se
 +46-18 590510

> More information at gillsc.com

E support@gillsc.com
 T +44 (0)1590 613900

E & OE
 EDGT6-Iss 2

GILL
 Sensors & Controls