

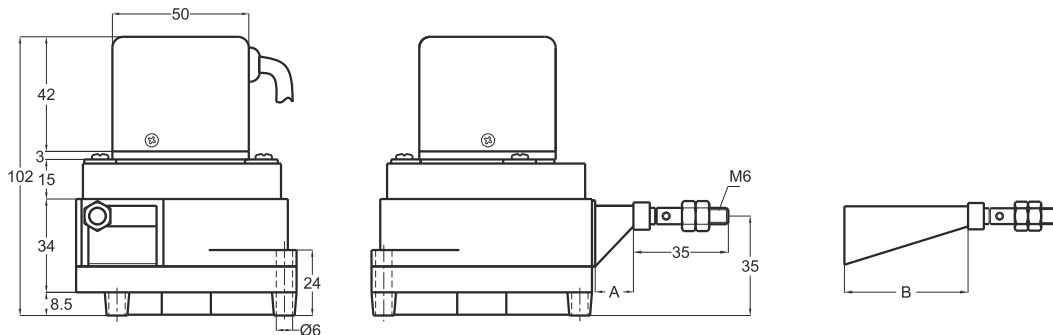
Draw Wire Encoder

- Measuring strokes 500 - 1000 - 1500 - 2000 - 2500 - 3000 - 3500 - 3600 mm
- Incremental 50 µm / 25 µm resolution
- Push-Pull, TTL Linedriver or HTL Linedriver
- Easy mounting
- High protection degree



Technical Specifications

| | |
|----------------------------------|---|
| Type of Measurement | Optical |
| Resolution | 0,2 mm/pulse |
| Measurement Stroke | 500 ... 3600 mm |
| Output Signal | A,B,Z or A,Ā, B,Ā, Z,Z̄ |
| Output Signal Type | Push-Pull, TTL Linedriver or HTL Linedriver |
| Supply Voltage | 8-24 VDC, 5 VDC or 5-30 VDC |
| Power Consumption (without load) | < 40 mA (24 VDC) |
| Electrical Connections | 2.5m Cable (Standard) |
| IP Degree | IP 54 |
| Case Material | Aluminium / Steel / ABS Plastic |
| Operating Temperature | -20°C ... +80°C |
| Storage Temperature | -30°C ... +90°C |



| | Measurement Stroke | |
|---|--------------------|-------------------------|
| A | 14 mm | 2500 mm |
| B | 50 mm | From 2500 up to 3500 mm |

Push-Pull Cable Output

- +V : Brown
- 0V : White
- GND : Shield
- Ch A : Yellow
- Ch B : Green
- Ch Z : Gray

TTL - HTL Linedriver Cable Output

- +V : Brown
- 0V : White
- GND : Shield
- Ch A : Yellow
- Ch B : Green
- Ch Z : Gray
- Ch A inv. : Blue
- Ch B inv. : Red
- Ch Z inv. : Pink

| Model | Measurement Stroke | Output | Resolution | Output Signal | Connector / Cable | Cable Output |
|---------------|---|---|---|-------------------------|---|-------------------------|
| (example) DWE | 1500 | LTP | P2000 | Z | 2M5 | R |
| DWE | 500 mm 3500 mm 1000 mm 3600 mm 1500 mm 2000 mm 2500 mm 3000 mm | LTP : Pushpull TTL : TTL Linedriver HLD : High Linedriver | P2000 : 0,1mm/puls P1000 : 0,2mm/puls P500 : 0,4mm/puls | Z : A, B, Z B : A, B | 2M5 : 2.5 meter cable 5M : 5 meter cable 8M : 8 meter cable 10M : 10 meter cable | R : Radial A : Axial |