

Clear, straightforward liquid level display

- Tank profiling for irregular shaped tanks
- Volume display and low level warning
- Fully programmable
- Easy installation
- Lightweight
- 29 extra-bright LEDs



ELECTRICAL

Supply voltage	9-30V DC
Supply current	<140mA @ 12V
Serial Interface	RS232 (+5V)
Resolution	10 bit

ANALOGUE INPUT

Voltage input range	Configurable 0 - 5V
----------------------------	---------------------

CONNECTION

Integral connector	Microfit III
---------------------------	--------------

ENVIRONMENTAL

Ingress Protection	IP65
Operational temperature	-10° to +80°C
EMC immunity level	SAE J1113/2 1996 design guideline
Vibration	15g RMS (24-2000Hz) & SAE J1455 design guidelines used
Finish	Anodised to ISO7599

MECHANICAL

Dimensions	See drawing overleaf
Weight	Two M4 threaded holes on a 106mm centre

ORDERING

1615 - 00 - 039 — Black Anodise to ISO7599

Cable harness = 1615-10-036 (supplied)

➤ More information at gillsc.com

E support@gillsc.com

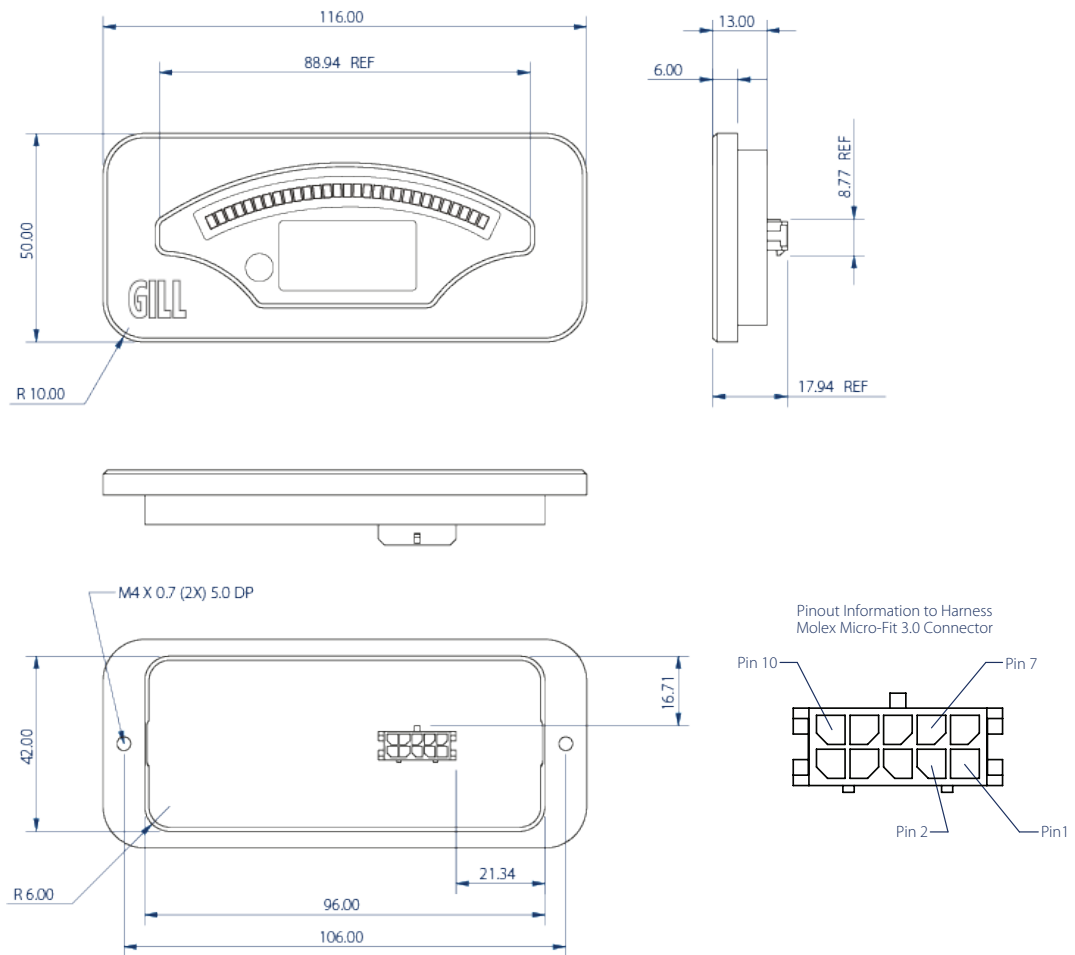
T +44 (0)1590 613900

Herbertek www.herbertek.se
info@herbertek.se
 +46-18 590510

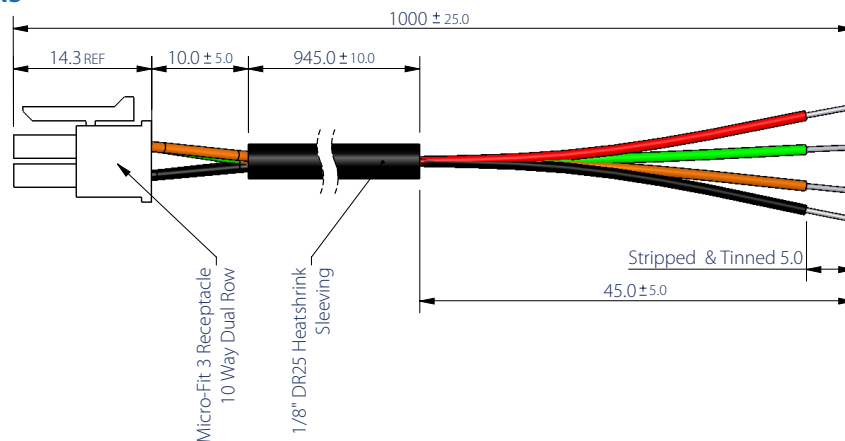
GILL

Sensors & Controls

DIMENSIONS



HARNESS DIMENSIONS



WIRING DESIGNATION

Colour	Pin	Function
Red	1	Supply (+Vs)
Black	2	Ground
Green	7	Rx (calibration only)
Orange	10	Analogue output