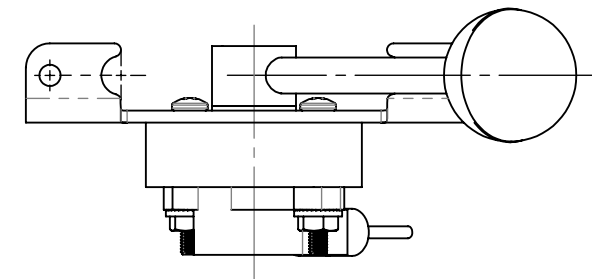
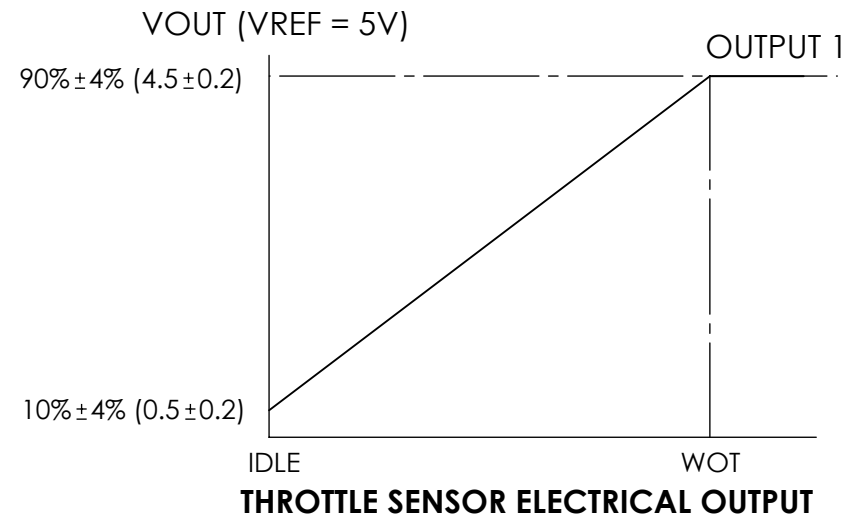


NOTES:

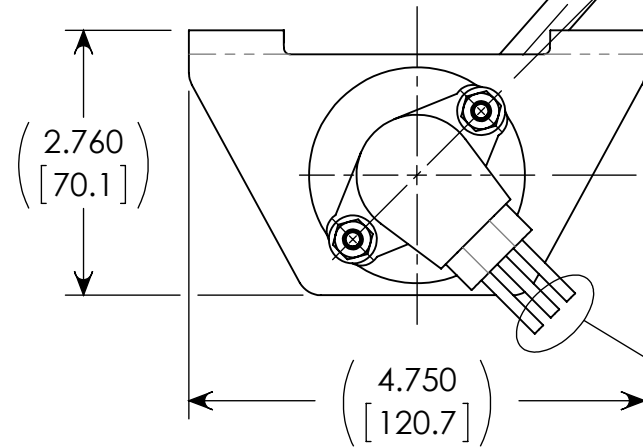
1 INITIAL SET FORCE AT MARKED LOCATION TO BE BETWEEN 5-7 lbf



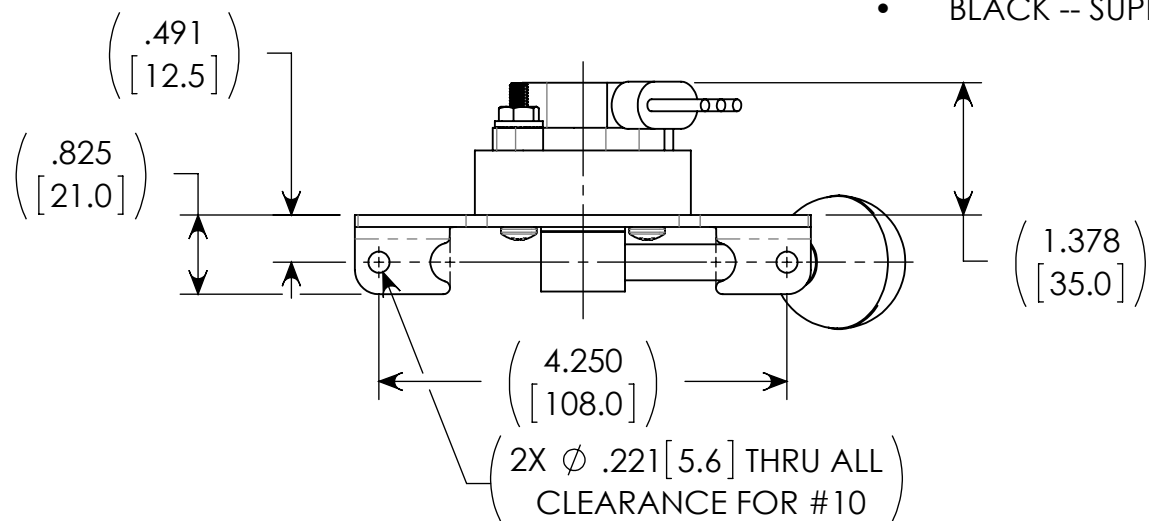
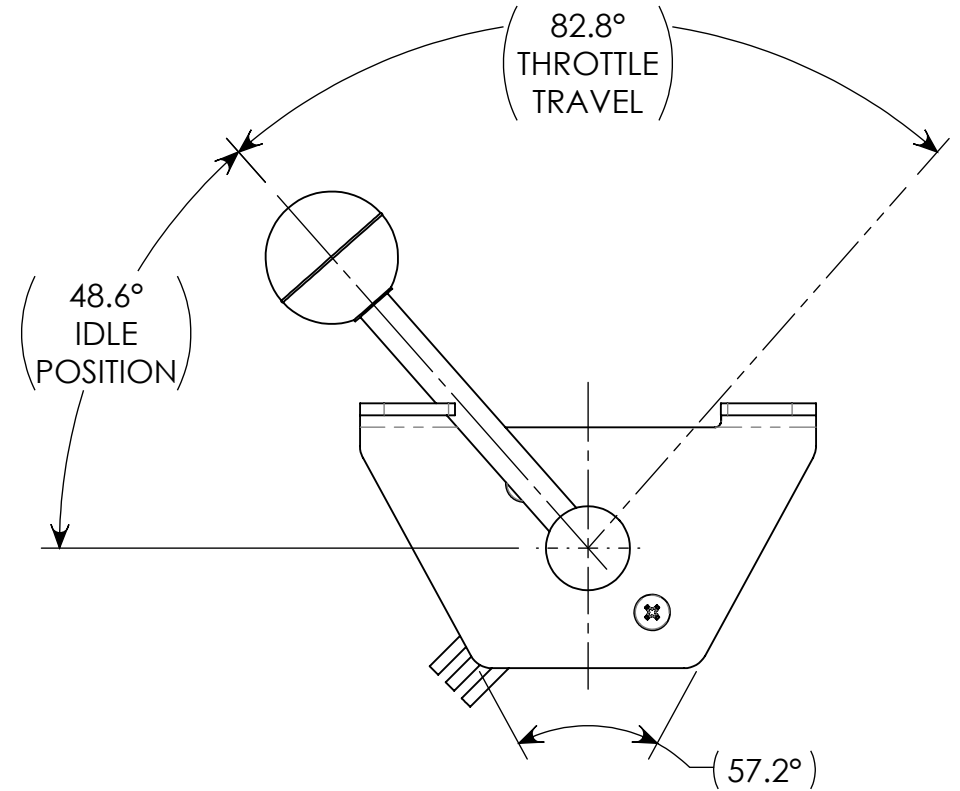
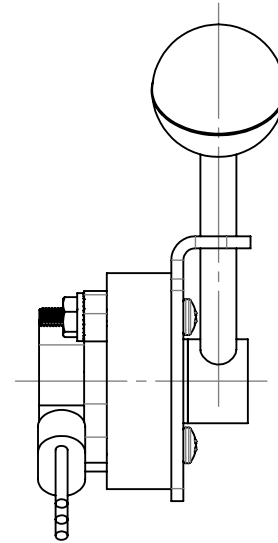
COLOR OF KNOB: BLACK

(ϕ 1.380)
[35.1]

45.0°
SENSOR



- WIRING SPECIFICATION
- 10" WIRE LENGTH
 - RED ----- GROUND
 - BLUE ----- SIGNAL
 - BLACK -- SUPPLY



Herbertek www.herbertek.se
info@herbertek.se
 +46-18 590510

UNITS IN inch [millimeter]

PART #
10622