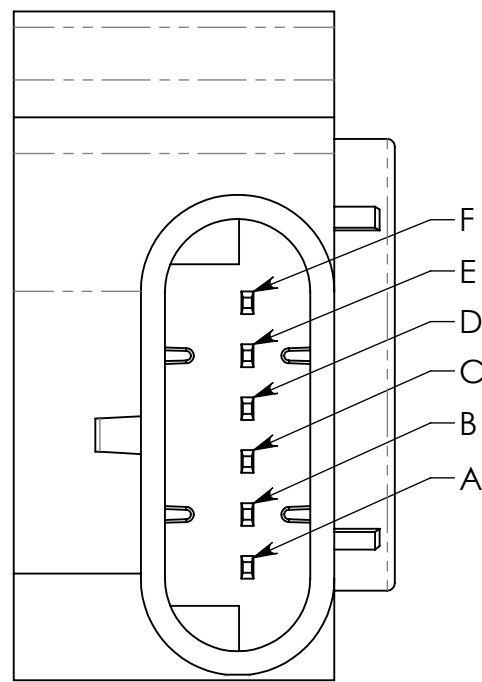
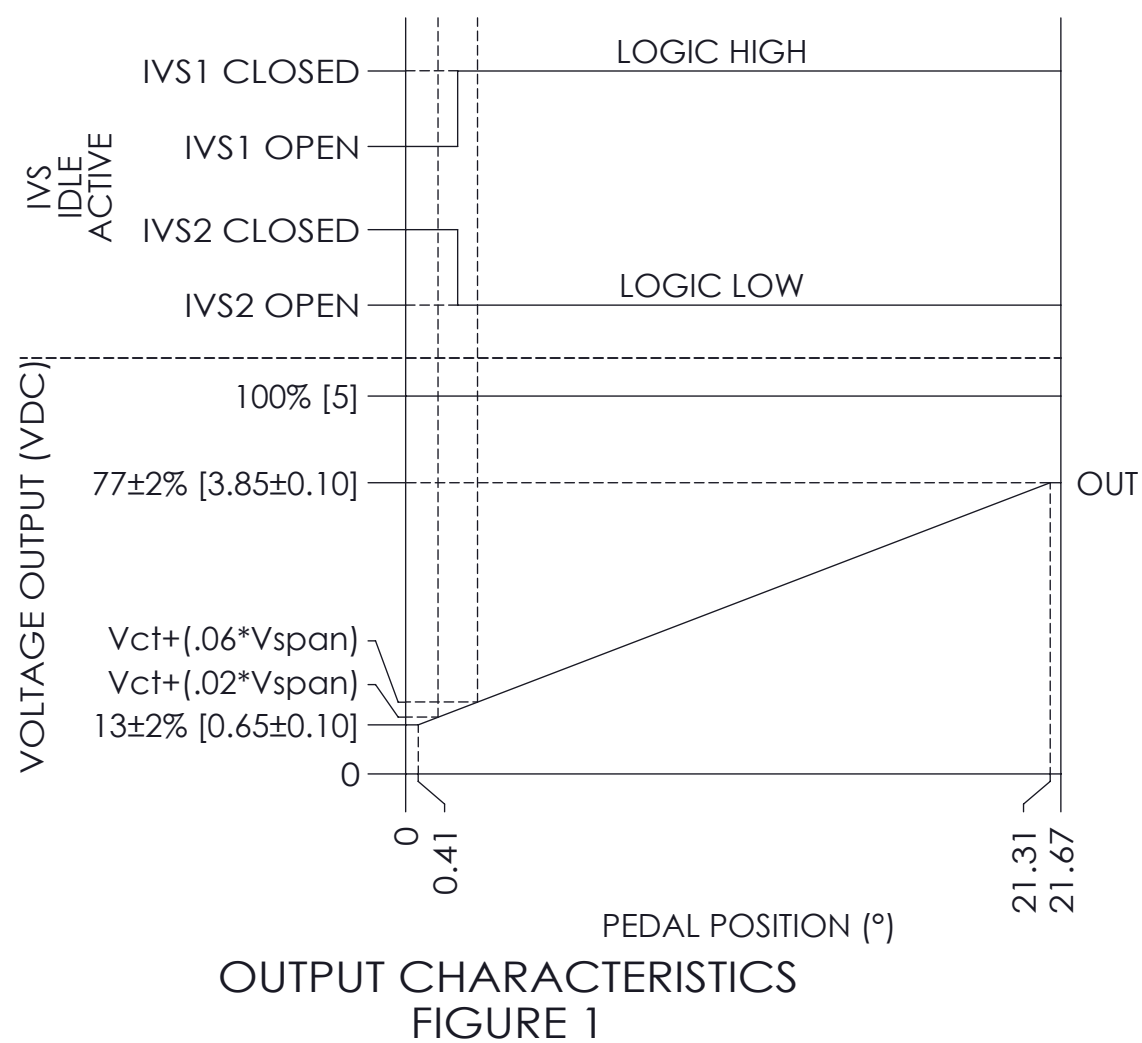


SPECIFICATIONS

1. MECHANICAL SPECIFICATIONS
 - TRAVEL OPTIONS (°): 21.7±1
 - PEDAL FORCE (N): 15 TO 32
 - WEIGHT (g): 1400
2. ELECTRICAL SPECIFICATIONS
 - SENSOR TYPES: RESISTIVE
 - OUTPUT OPTIONS: SWITCHING
 - OUTPUT 1 RESISTANCE (KΩ): 5±20%
 - OUTPUT 2 RESISTANCE (KΩ): N/A
 - WORKING VOLTAGE (VDC): 5
 - MAXIMUM VOLTAGE (VDC): 16
 - MAXIMUM CURRENT (mA): 10
 - LINEARITY: ±2%
 - ELECTRICAL OUTPUT (VDC): SEE FIGURE 1
3. ENVIRONMENTAL SPECIFICATIONS
 - TEMPERATURE (°C): -40 TO 85
 - STORAGE TEMPERATURE (°C): -40 TO 95
 - PROTECTION CLASS: IP66
4. MATERIALS
 - PEDAL ARM: CARBON STEEL PAINTED BLACK
 - PEDAL BASE: CARBON STEEL PAINTED BLACK
 - LINKAGE PLATE: CARBON STEEL PAINTED BLACK
 - SENSOR MOUNT: CARBON STEEL PAINTED BLACK
 - SPRINGS: MUSIC WIRE PLATED WITH ZINC
 - SENSOR: NYLON COLORED BLACK
 - HARDWARE: CARBON STEEL PLATED WITH ZINC OR CADMIUM

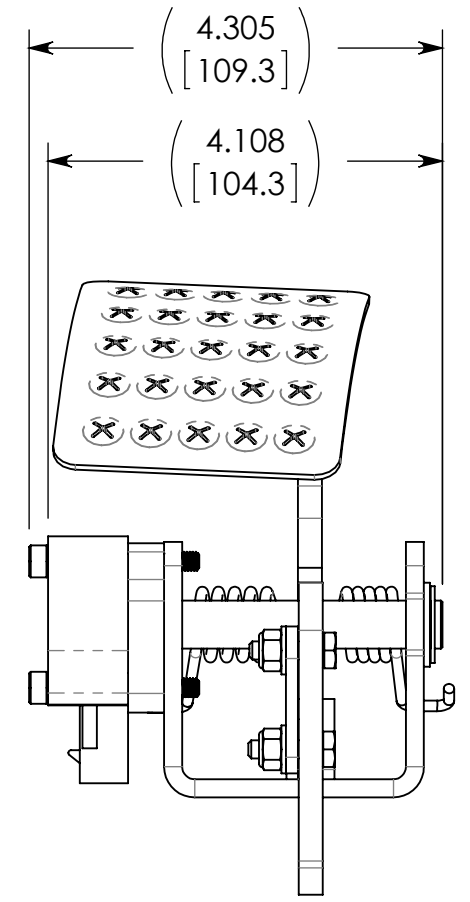
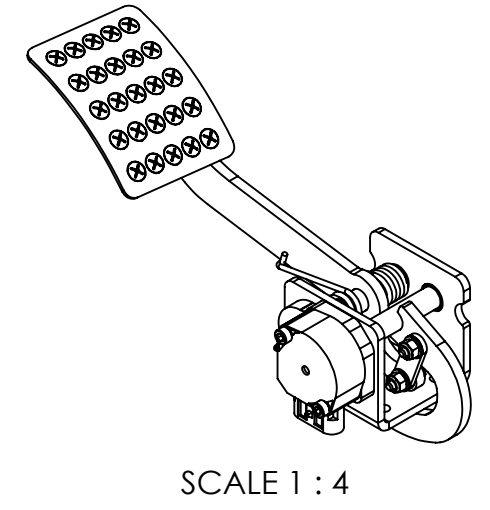
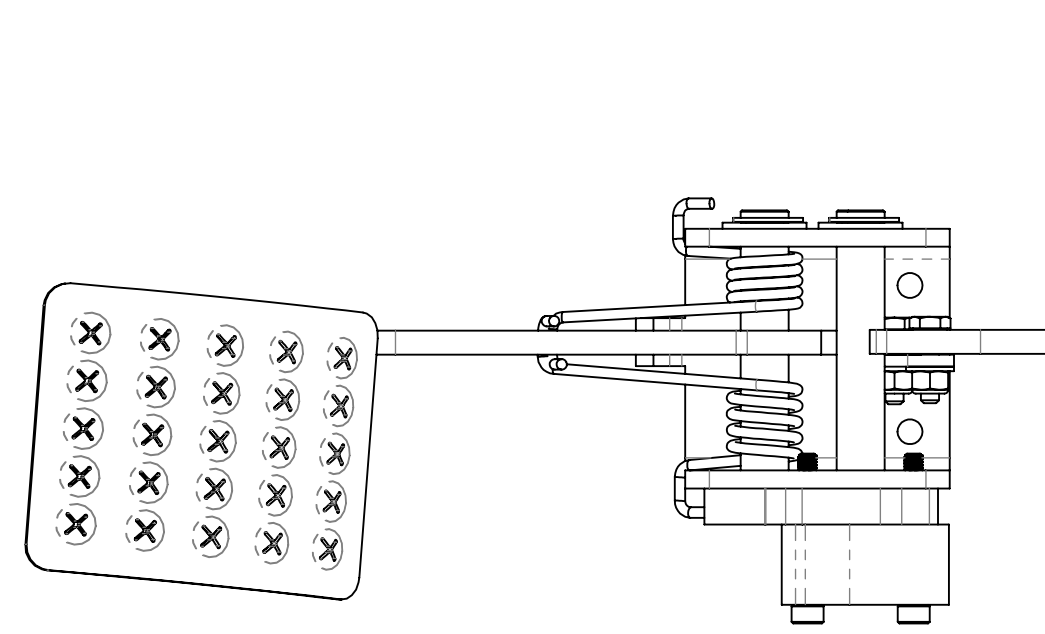
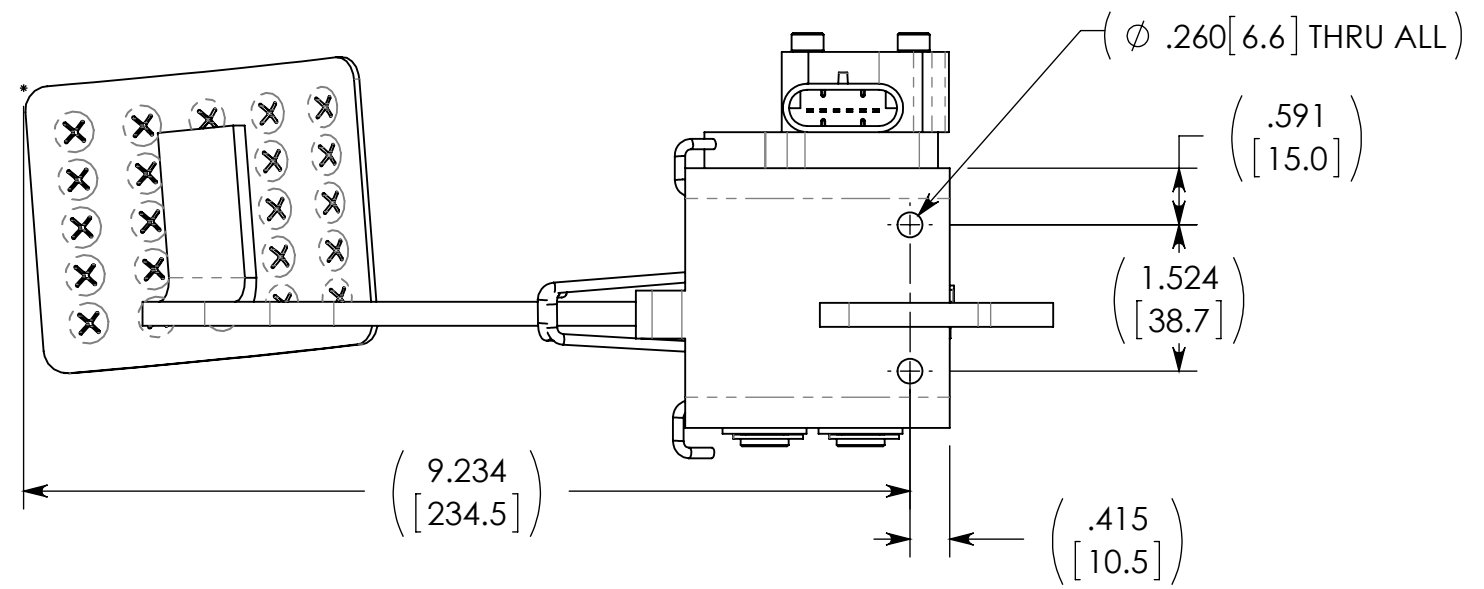
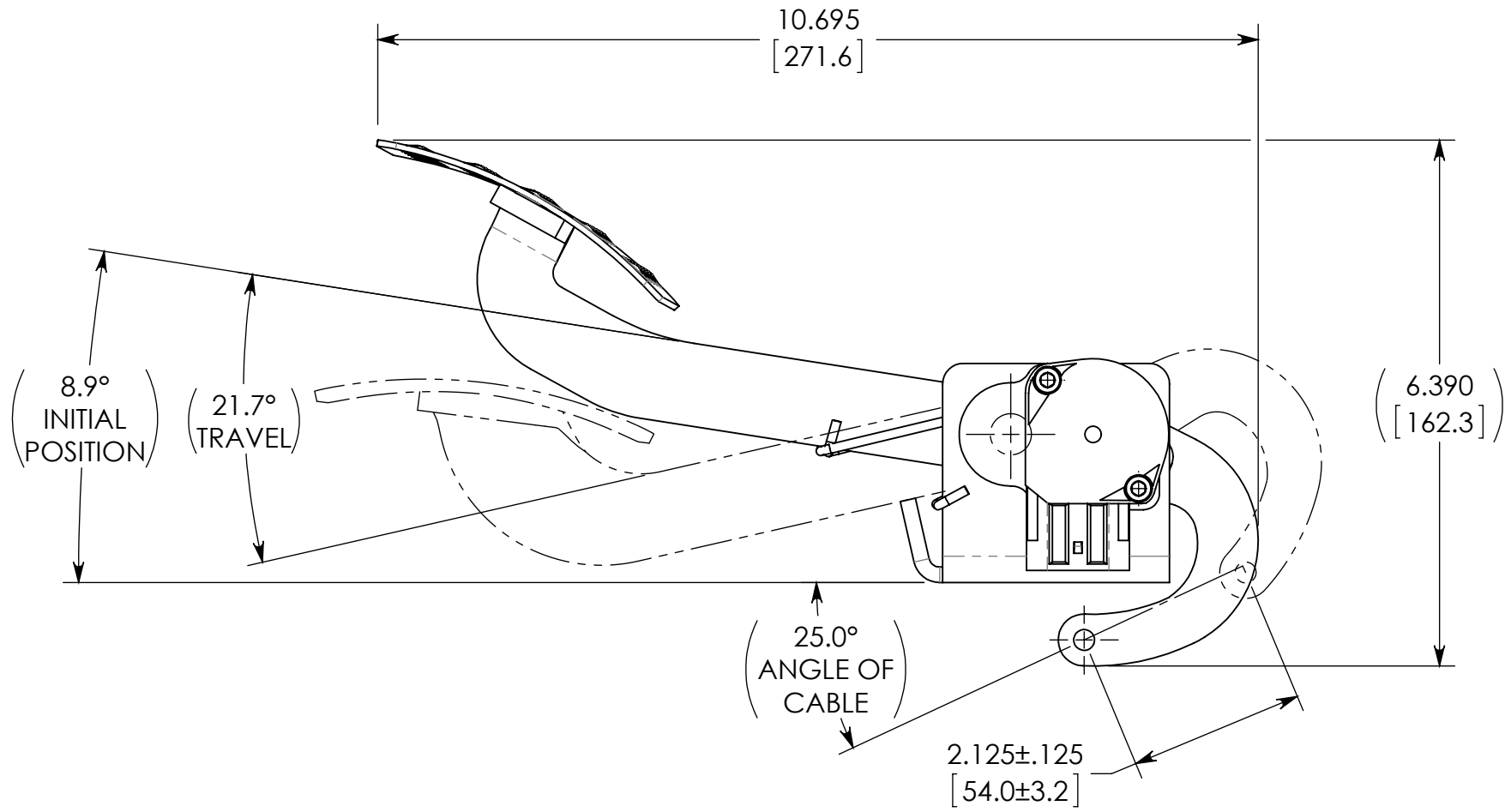
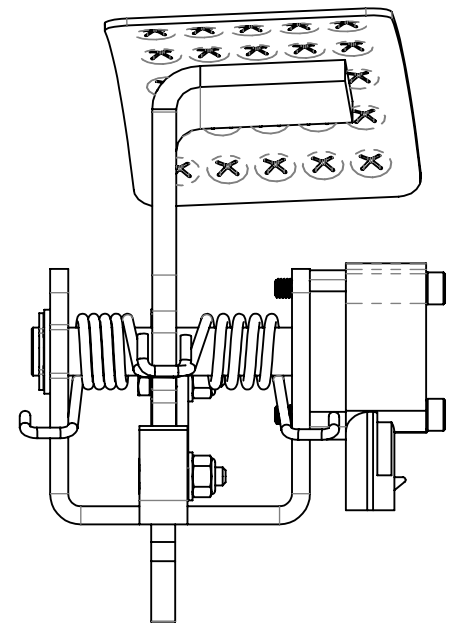
NOTES

1. ADDITIONAL RESISTANCE OPTIONS AVAILABLE UPON REQUEST



SENSOR PINOUT
MATING CONNECTOR:
DELPHI #12162261 HOUSING
DELPHI #12103881 PINS
DELPHI #12048086 SEAL

PIN	FUNCTION	PIN	FUNCTION
A	OUT	D	IVS1
B	COM-	E	IVS2
C	VCC+	F	IVS COM



Herbertek www.herbertek.se
info@herbertek.se
+46-18 590510

UNITS IN inch [millimeter]

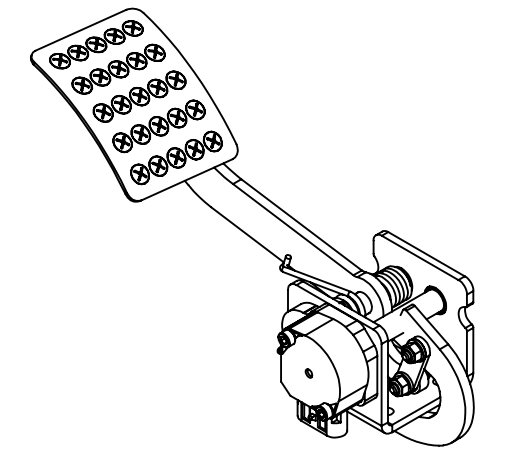
PART #
10621

SPECIFICATIONS

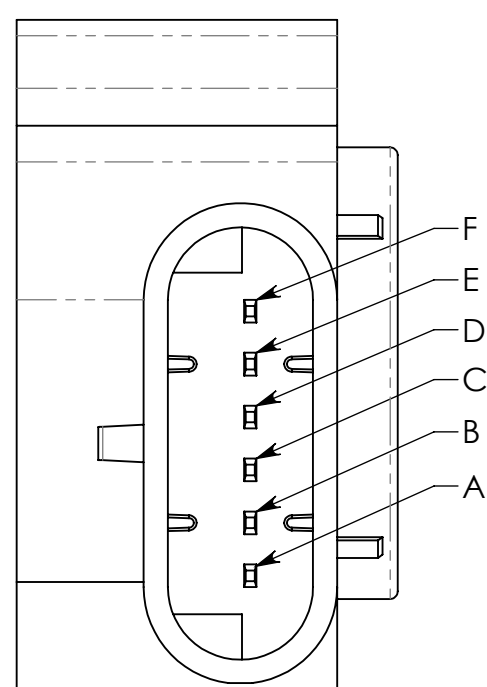
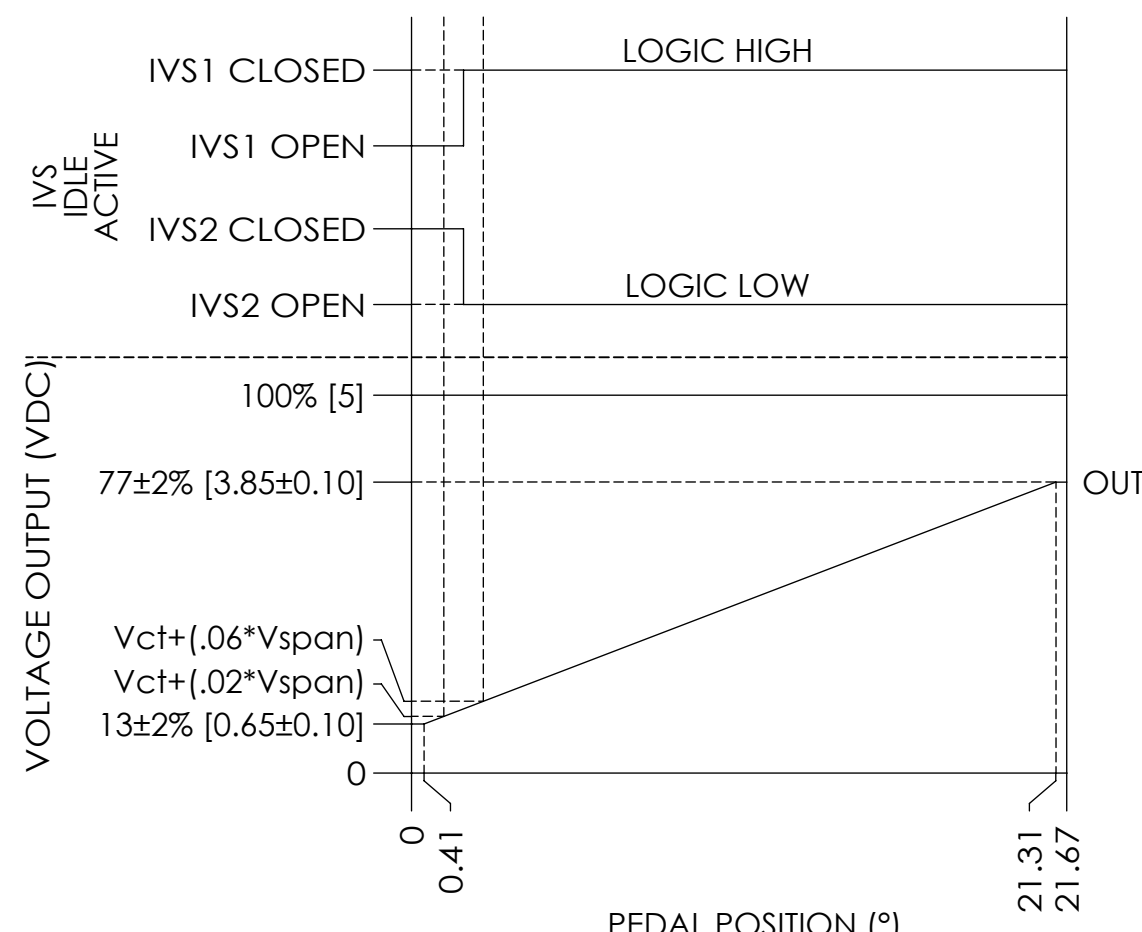
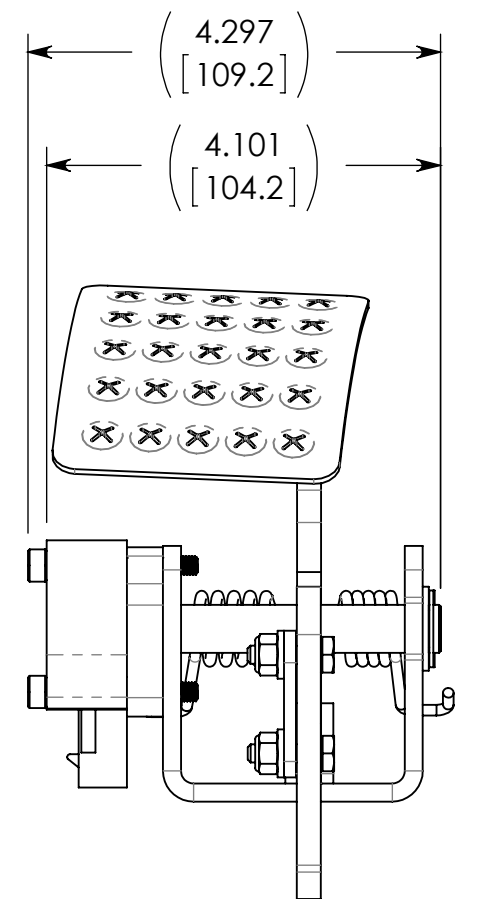
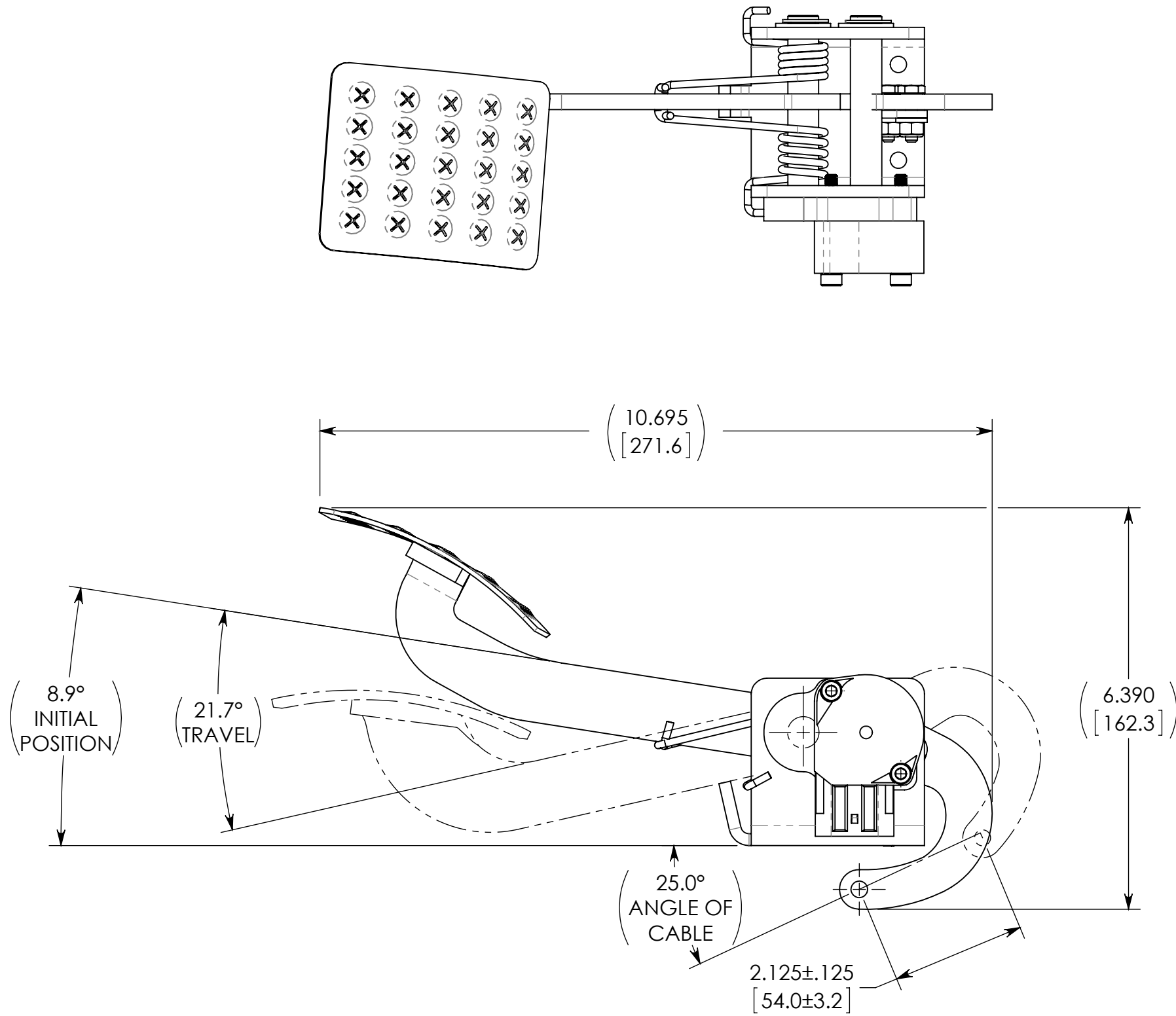
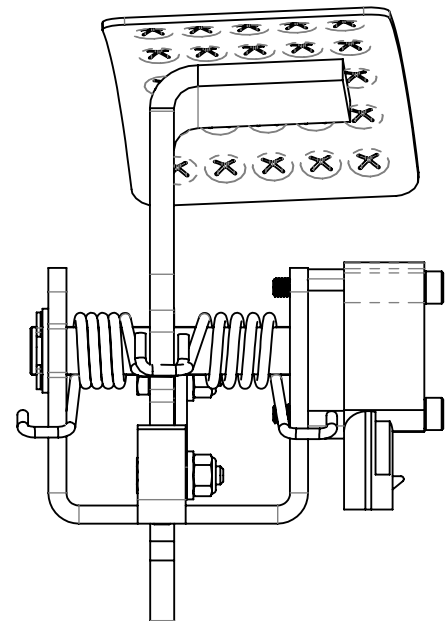
1. MECHANICAL SPECIFICATIONS
 - TRAVEL OPTIONS (°): 21.7±1
 - PEDAL FORCE (N): 15 TO 32
 - WEIGHT (g): 1400
2. ELECTRICAL SPECIFICATIONS
 - SENSOR TYPES: RESISTIVE
 - OUTPUT OPTIONS: SWITCHING
 - OUTPUT 1 RESISTANCE (KΩ): 5±20%
 - OUTPUT 2 RESISTANCE (KΩ): N/A
 - WORKING VOLTAGE (VDC): 5
 - MAXIMUM VOLTAGE (VDC): 16
 - MAXIMUM CURRENT (mA): 10
 - LINEARITY: ±2%
 - ELECTRICAL OUTPUT (VDC): SEE FIGURE 1
3. ENVIRONMENTAL SPECIFICATIONS
 - TEMPERATURE (°C): -40 TO 85
 - STORAGE TEMPERATURE (°C): -40 TO 95
 - PROTECTION CLASS: IP66
4. MATERIALS
 - PEDAL ARM: CARBON STEEL PAINTED WITH 10353AS156 OR 1905AS300 WHITE
 - PEDAL BASE: CARBON STEEL PAINTED WITH 10353AS156 OR 1905AS300 WHITE
 - LINKAGE PLATE: CARBON STEEL PAINTED WITH 10353AS156 OR 1905AS300 WHITE
 - SENSOR MOUNT: CARBON STEEL PAINTED WITH 10353AS156 OR 1905AS300 WHITE
 - SPRINGS: STAINLESS STEEL
 - SENSOR: NYLON COLORED BLACK
 - HARDWARE: STAINLESS STEEL

NOTES

1. ADDITIONAL RESISTANCE OPTIONS AVAILABLE UPON REQUEST

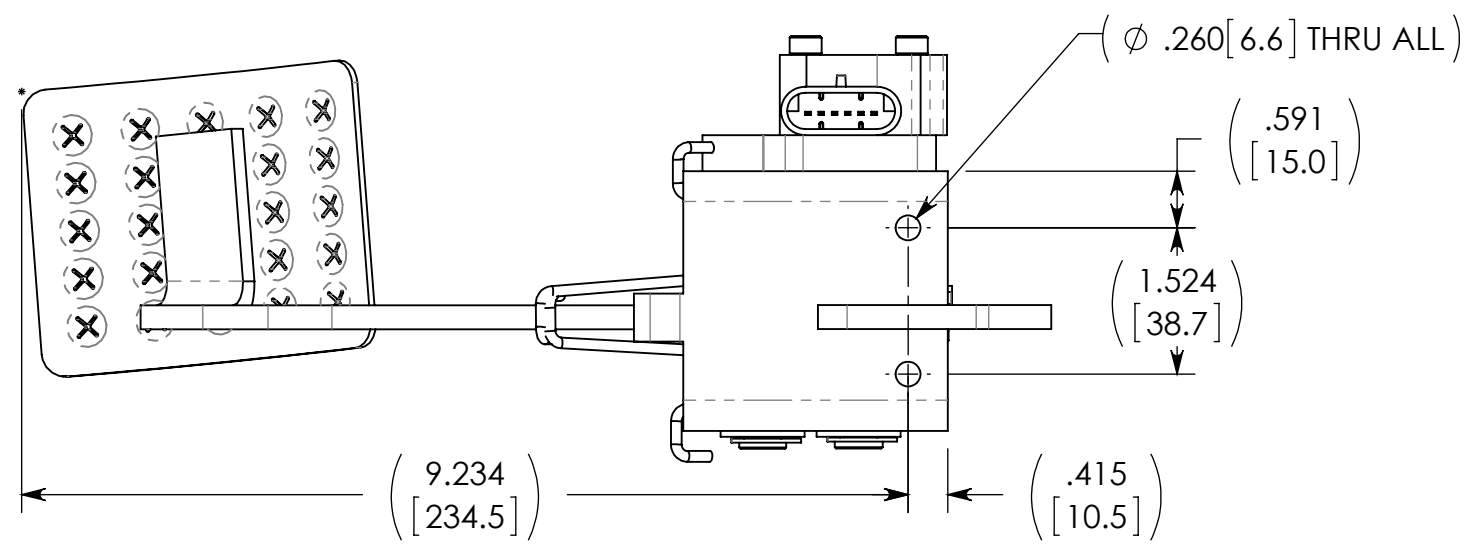


SCALE 1 : 4



SENSOR PINOUT
 MATING CONNECTOR:
 DELPHI #12162261 HOUSING
 DELPHI #12103881 PINS
 DELPHI #12048086 SEAL

PIN	FUNCTION	PIN	FUNCTION
A	OUT	D	IVS1
B	COM-	E	IVS2
C	VCC+	F	IVS COM



Herbertek www.herbertek.se
info@herbertek.se
 +46-18 590510

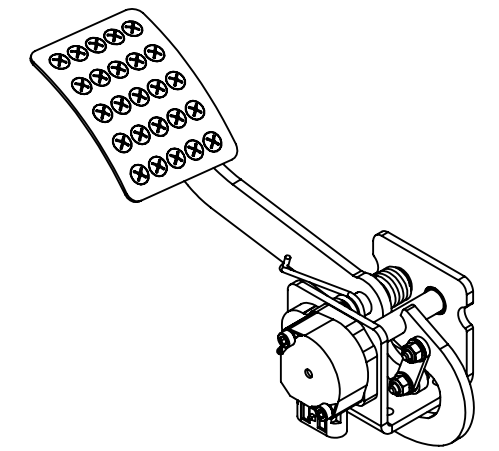
UNITS IN inch [millimeter]
 PART #
10625

SPECIFICATIONS

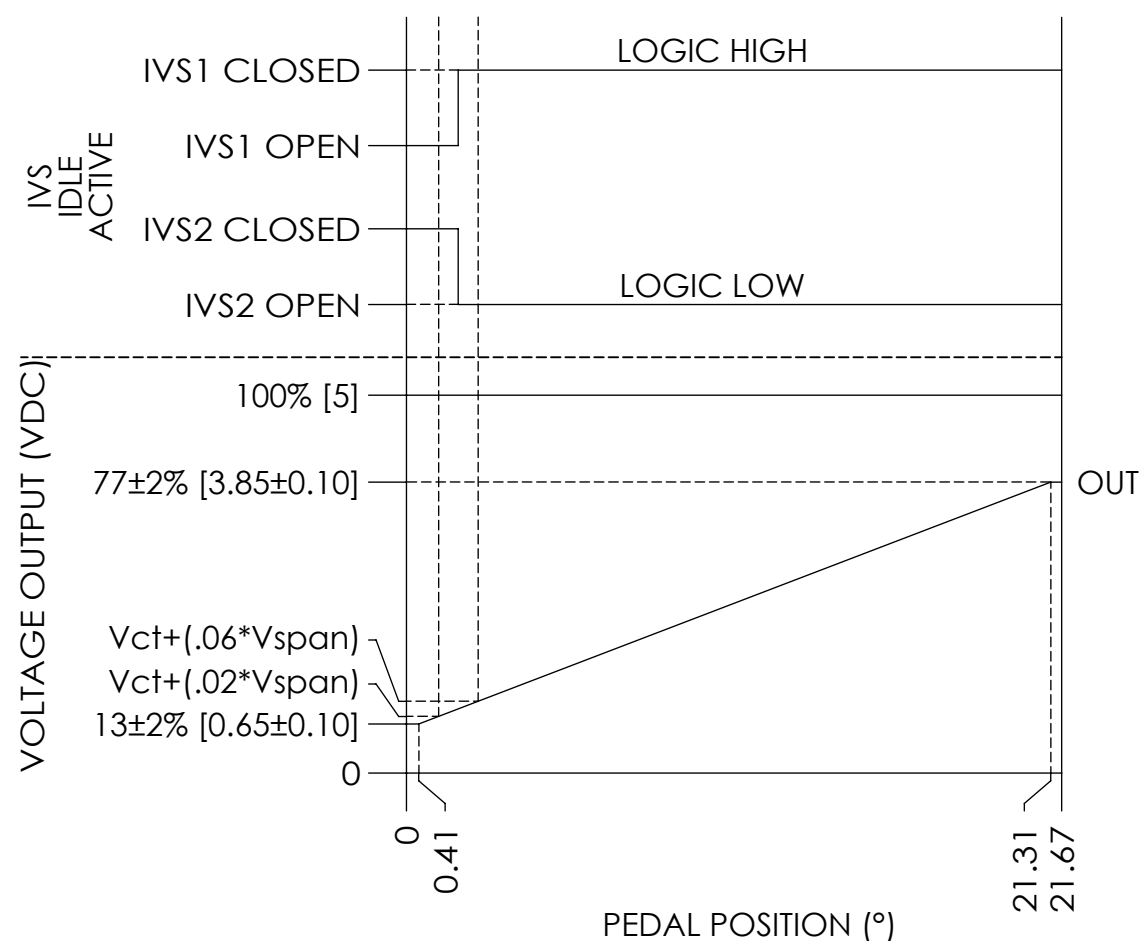
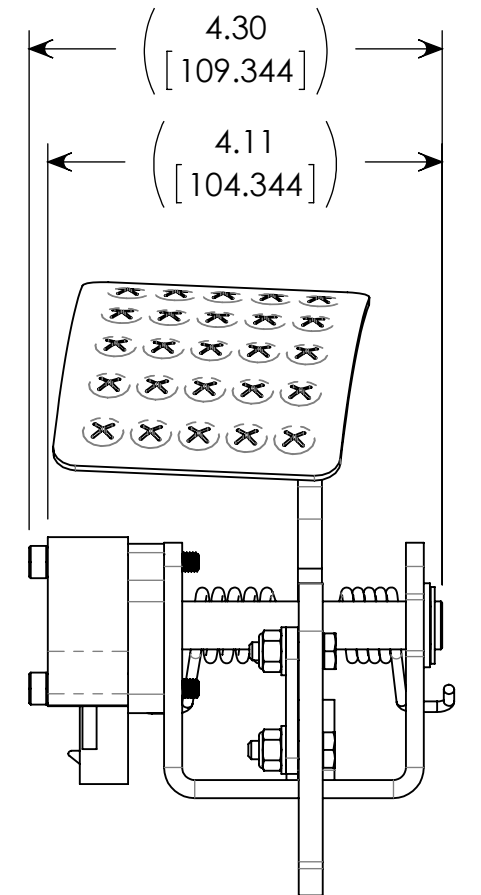
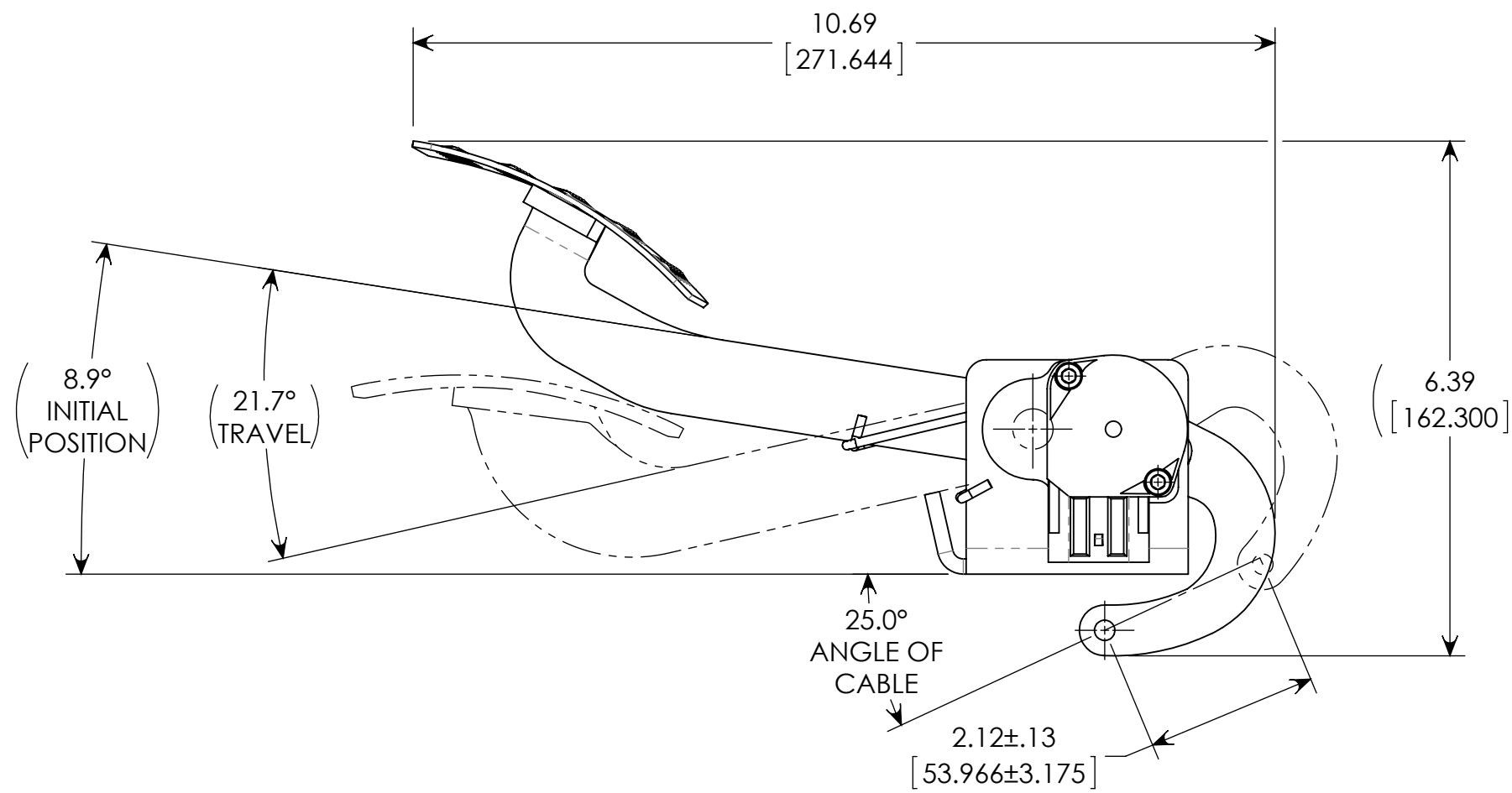
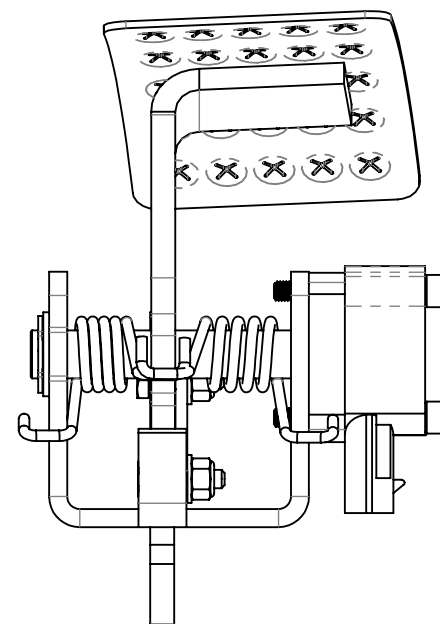
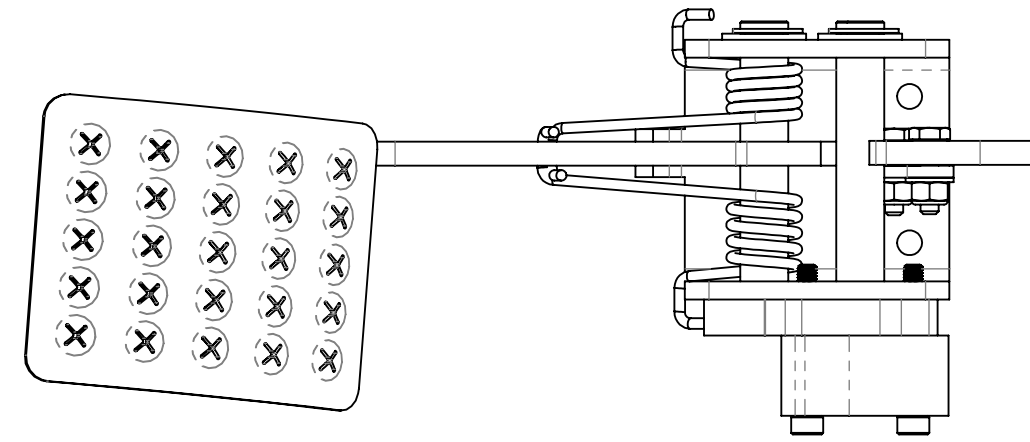
1. MECHANICAL SPECIFICATIONS
 - TRAVEL OPTIONS (°): 21.7±1
 - PEDAL FORCE (N): 15 TO 32
 - WEIGHT (g): 1400
2. ELECTRICAL SPECIFICATIONS
 - SENSOR TYPES: RESISTIVE
 - OUTPUT OPTIONS: SWITCHING
 - OUTPUT 1 RESISTANCE (KΩ): 2.5±20%
 - OUTPUT 2 RESISTANCE (KΩ): N/A
 - WORKING VOLTAGE (VDC): 5
 - MAXIMUM VOLTAGE (VDC): 16
 - MAXIMUM CURRENT (mA): 10
 - LINEARITY: ±2%
 - ELECTRICAL OUTPUT (VDC): SEE FIGURE 1
3. ENVIRONMENTAL SPECIFICATIONS
 - TEMPERATURE (°C): -40 TO 85
 - STORAGE TEMPERATURE (°C): -40 TO 95
 - PROTECTION CLASS: IP66
4. STANDARDS MET
 - CUMMINS AEB 15.59
5. MATERIALS
 - PEDAL ARM: CARBON STEEL PAINTED BLACK
 - PEDAL BASE: CARBON STEEL PAINTED BLACK
 - LINKAGE PLATE: CARBON STEEL PAINTED BLACK
 - SENSOR MOUNT: CARBON STEEL PAINTED BLACK
 - SPRINGS: MUSIC WIRE PLATED WITH ZINC
 - SENSOR: NYLON COLORED BLACK
 - HARDWARE: CARBON STEEL PLATED WITH ZINC OR CADMIUM

NOTES

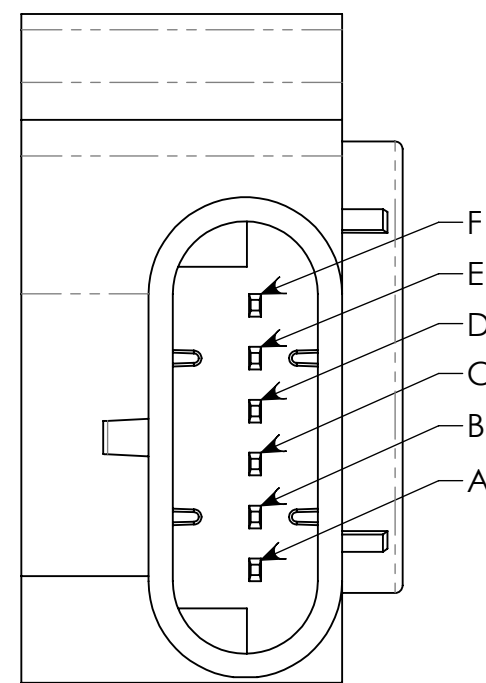
1. ADDITIONAL RESISTANCE OPTIONS AVAILABLE UPON REQUEST



SCALE 1 : 4

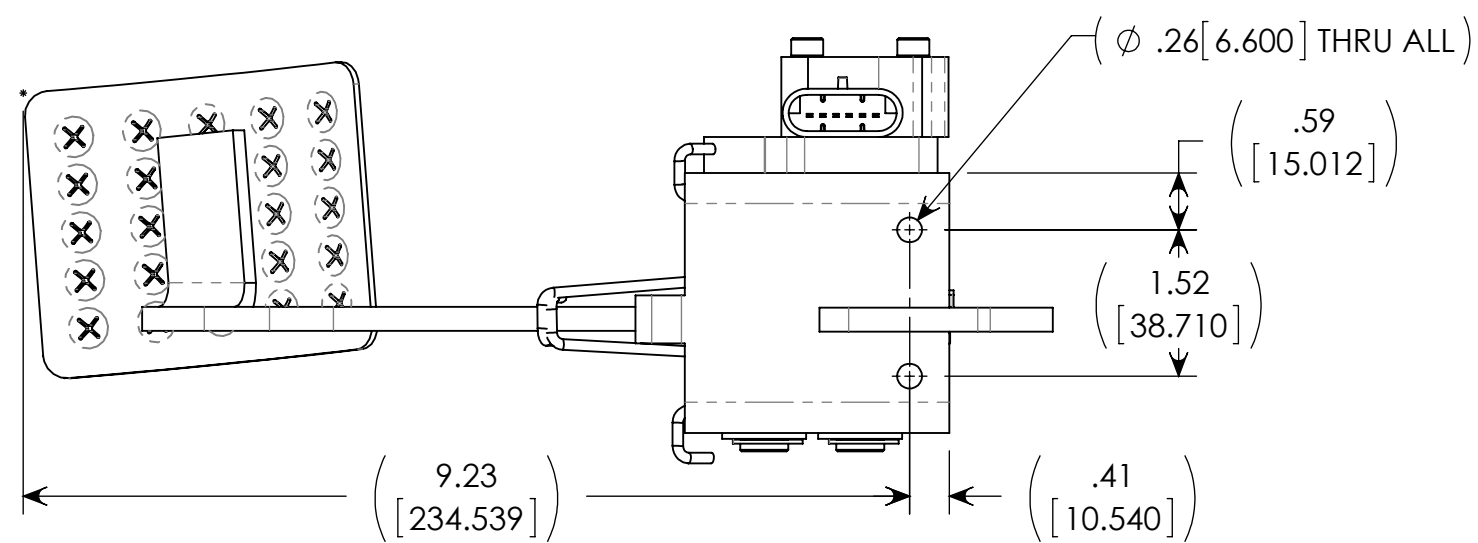


OUTPUT CHARACTERISTICS
FIGURE 1



SENSOR PINOUT
 MATING CONNECTOR:
 DELPHI #12162261 HOUSING
 DELPHI #12103881 PINS
 DELPHI #12048086 SEAL

PIN	FUNCTION	PIN	FUNCTION
A	OUT	D	IVS1
B	COM-	E	IVS2
C	VCC+	F	IVS COM



Herbertek www.herbertek.se
info@herbertek.se
 +46-18 590510

UNITS IN inch [millimeter]

PART #
10626