

MACHINE UNIT	CONTROLLER	INPUT IMEDANCE	MAXIMUM OUTPUT WHEN IN RESTING POSITION	MINIMUM OUTPUT WHEN FULLY DEPRESSED	MAXIMUM OUTPUT WHEN FULLY DEPRESSED
TEST	NONE	NONE	1.0V*	4.6V*	5.1V*
*SUBJECT TO PEDAL ASSEMBLY DESIGN SPECIFICATIONS					

SPECIFICATIONS:

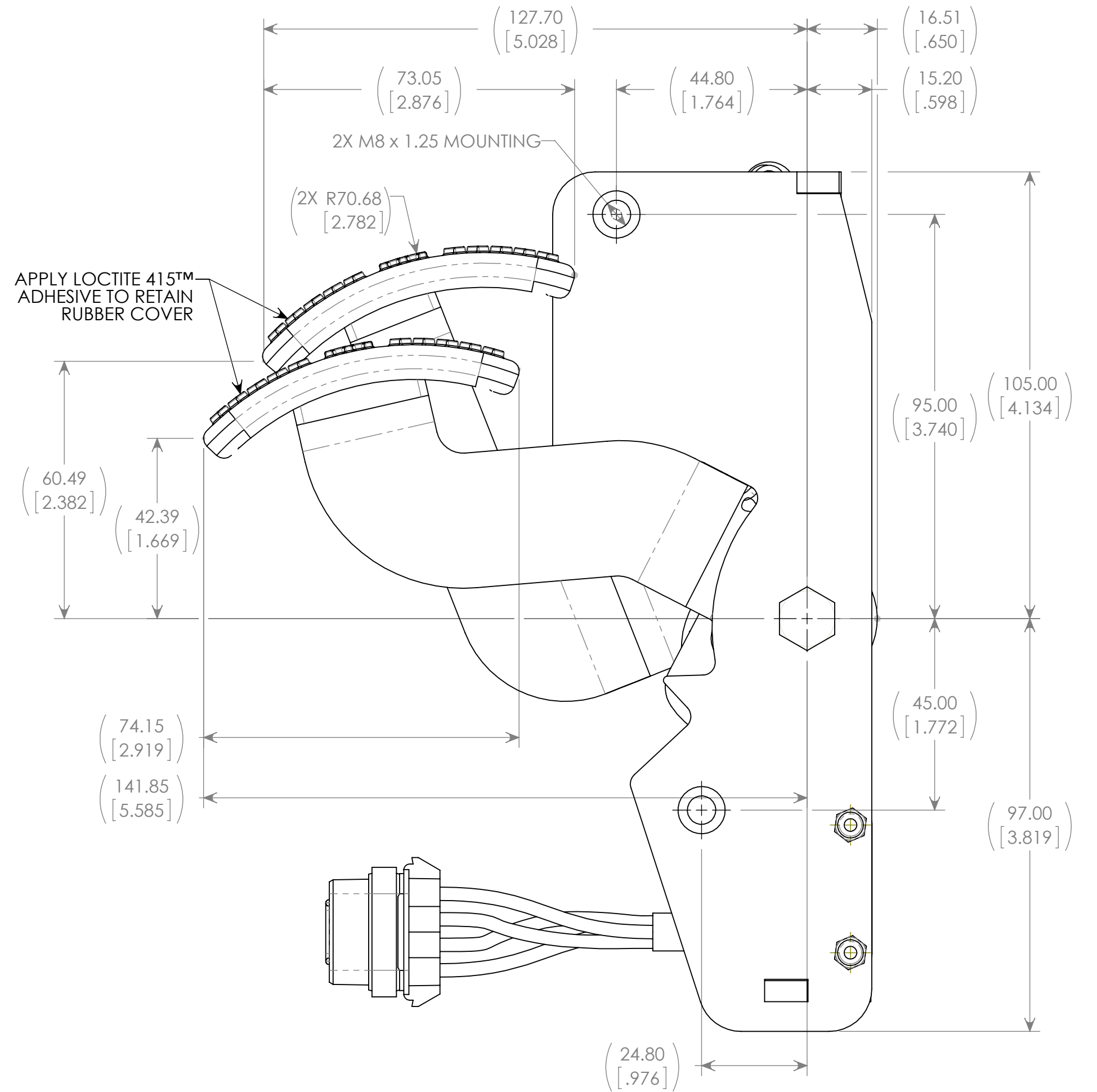
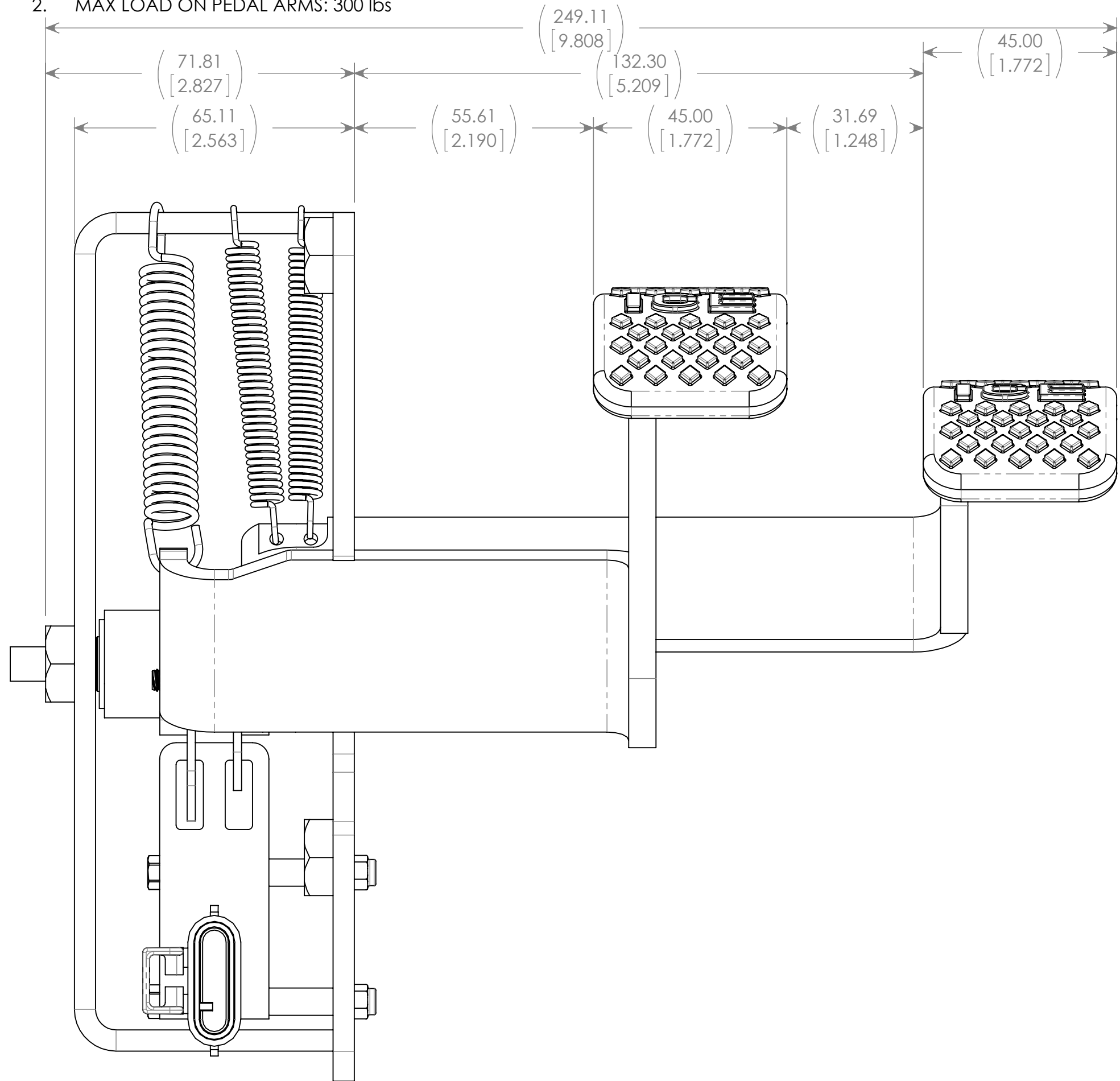
- SENSOR:
- INPUT SPECIFICATION: 6V - 42 V SUPPLY CAPABLE OF SOURCING A MINIMUM OF 10mA
 - OUTPUT SPECIFICATION: SEE CONNECTOR PINOUT TABLE
 - OPERATING TEMPERATURE RANGE 0 - 120°F

MATERIALS AND FINISHES:

- FASTENERS AND HARDWARE: 8-18 STAINLESS STEEL OR ZINC PLATED STEEL
- PIVOT PIN: 303 STAINLESS STEEL
- ARM PARTS: GREY POWDER COATED STEEL
- SENSOR ACTIVATORS: BLACK POWDER COAT STEEL
- SENSOR STANDOFFS: ALUMINIUM
- TREADLE COVER: BLUE EPDM RUBBER
- MOUNTING FRAME: BLACK POWDER COATED STEEL

DURABILITY:

- LIFE: MINIMUM OF 1,000,000 FULL CYCLES
- MAX LOAD ON PEDAL ARMS: 300 lbs



CONNECTOR PINOUT		
PIN	NOTES	COLOR
A	POWER	RED
B	OUTPUT 1 (ACCEL)	YEL
C	OUTPUT 2 (BRAKE)	BLU
D	GROUND	BLK

Herbertek www.herbertek.se
info@herbertek.se
+46-18 590510

UNITS IN millimeter [inch]

PART #
10466