

- SPECIFICATIONS**
- 1. MECHANICAL SPECIFICATIONS**
- TRAVEL OPTIONS (°): 18.4±1
 - OPTIONAL KICKDOWN (°): 15.9±1
 - PEDAL FORCE (N): SEE FIGURES 3 & 4
 - LIFE (CYCLES): >3,000,000
 - WEIGHT (g): 340

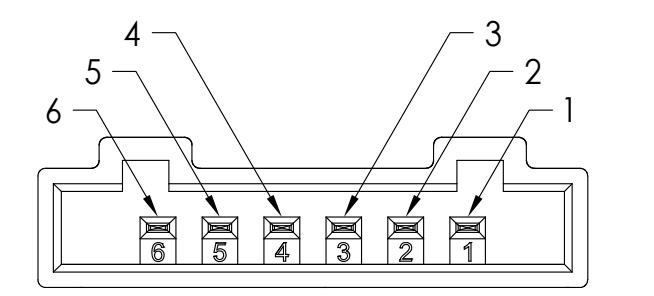
- 2. ELECTRICAL SPECIFICATIONS**
- SENSOR TYPES: RESISTIVE
 - OUTPUT OPTIONS: DUAL ANALOG, SWITCHING
 - OUTPUT 1 RESISTANCE (KΩ): 2.2±20%
 - OUTPUT 2 RESISTANCE (KΩ): 4.4±20%
 - WORKING VOLTAGE (VDC): 5
 - MAXIMUM VOLTAGE (VDC): 16
 - MAXIMUM CURRENT (mA): 10
 - LINEARITY: ±2%
 - SYNCHRONICITY: ≤1.4%
 - REPEATABILITY: ≤0.1%
 - INSULATION RESISTANCE (MΩ): ≥100
 - ELECTRICAL OUTPUT (VDC): SEE FIGURES 1 & 2

- 3. ENVIRONMENTAL SPECIFICATIONS**
- TEMPERATURE (°C): -40 TO 85
 - STORAGE TEMPERATURE (°C): -40 TO 95
 - PROTECTION CLASS: IP64

- 4. STANDARDS MET**
- FMVSS124

NOTES

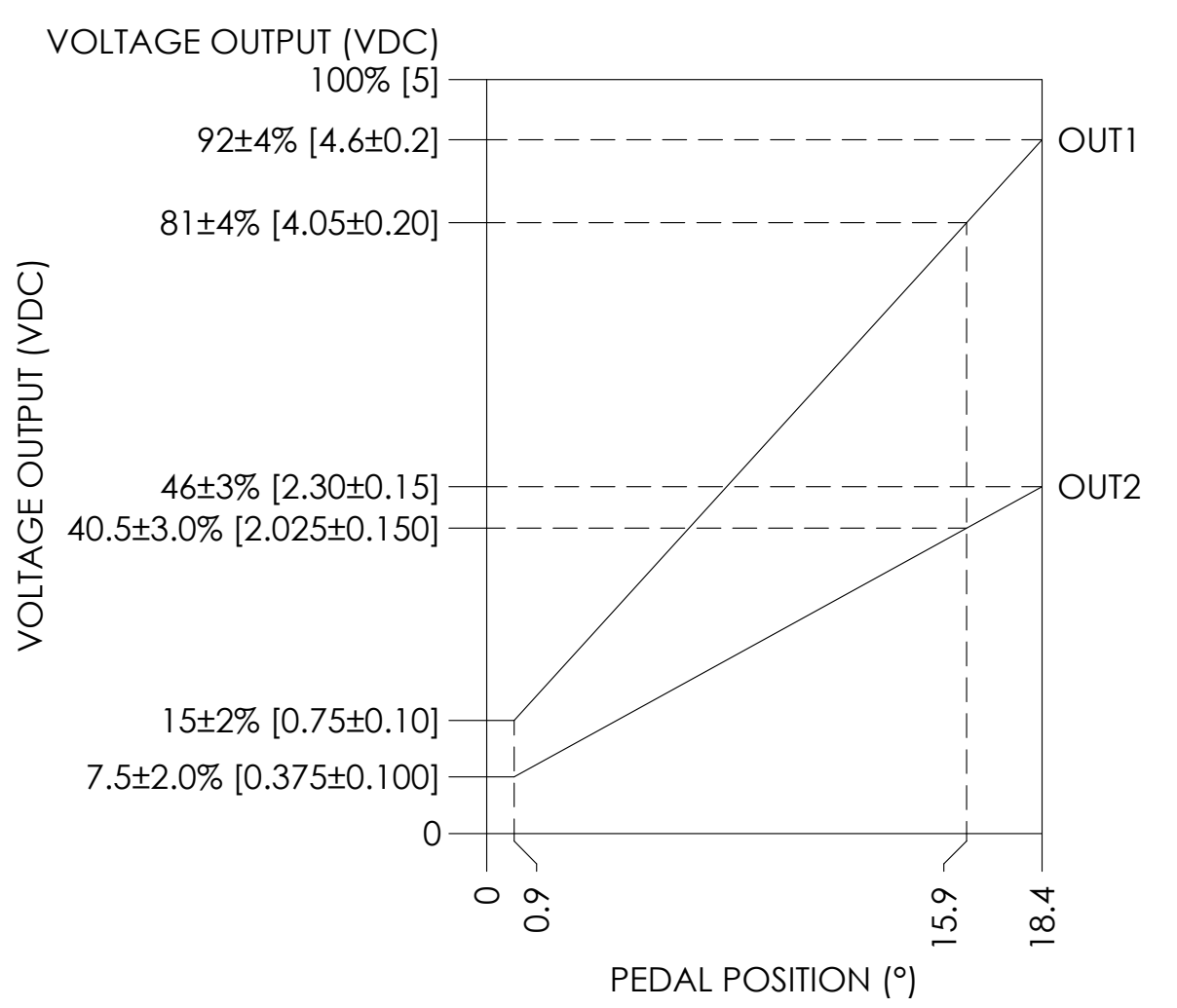
1. ADDITIONAL RESISTANCE OPTIONS AVAILABLE UPON REQUEST



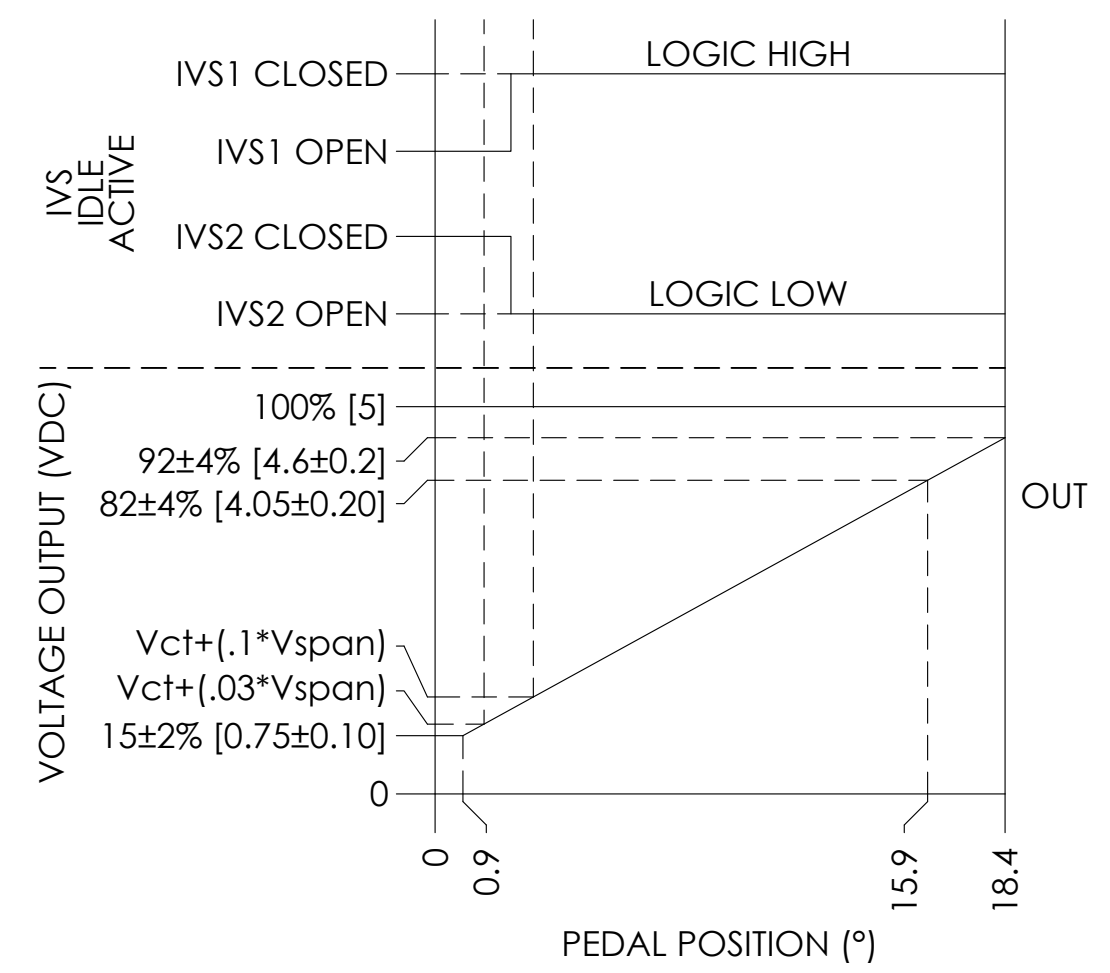
MATING CONNECTOR: LEAR #16954669696
CONNECTOR PINOUT
 VIEW A-A
 SCALE 2:1

SENSOR PINOUT FOR DUAL ANALOG OPTION			
PIN	FUNCTION	PIN	FUNCTION
1	VCC2+	4	OUT1
2	VCC1+	5	COM2-
3	COM1-	6	OUT2

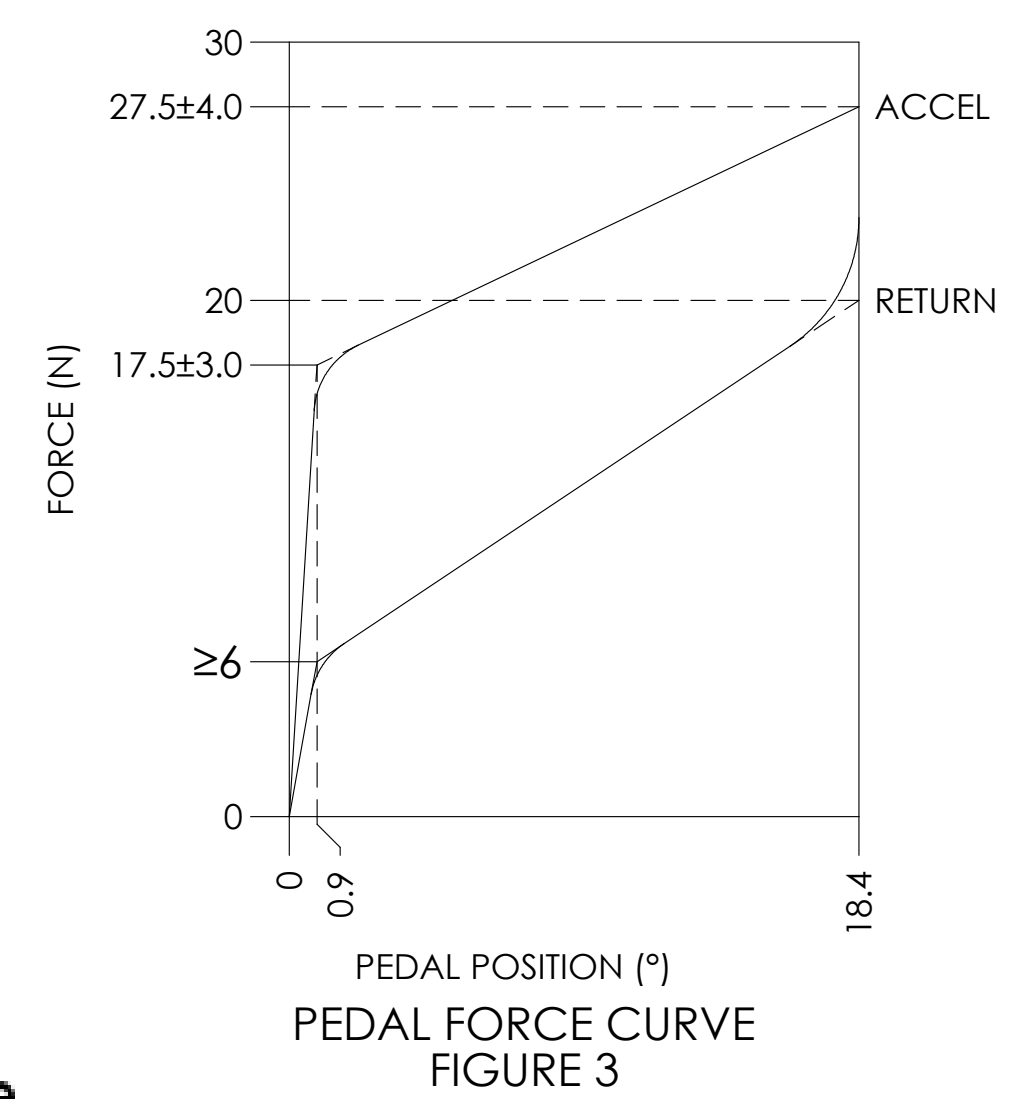
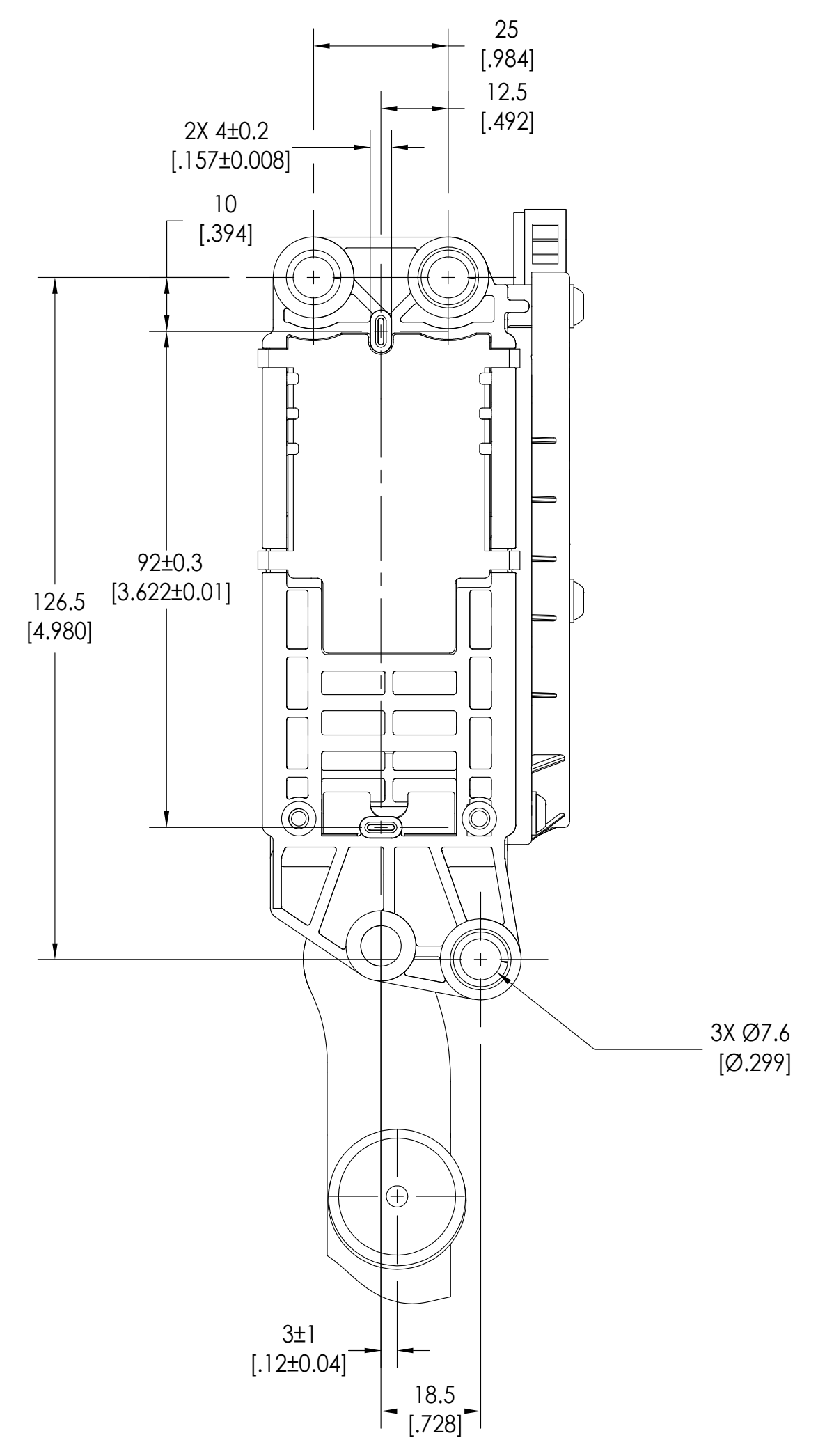
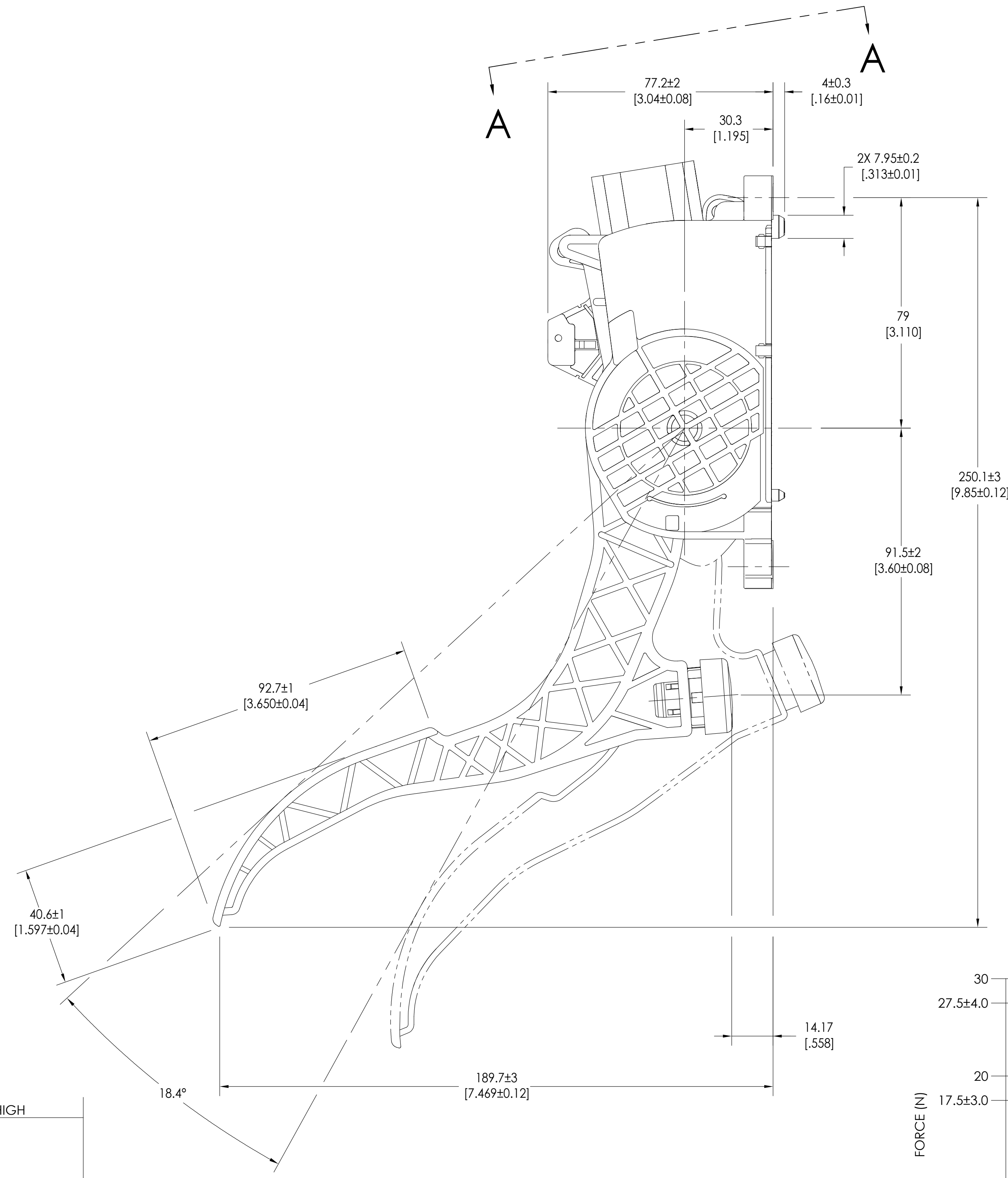
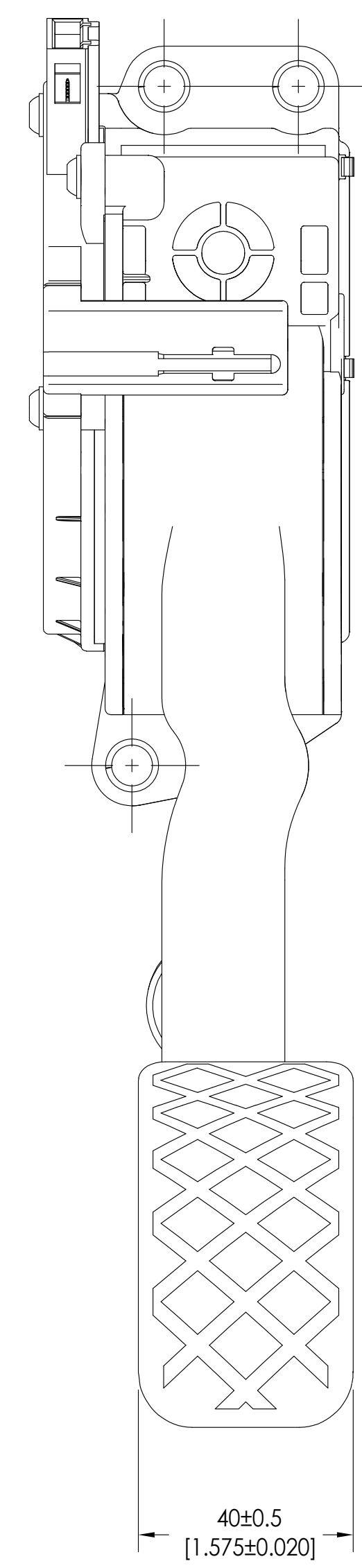
SENSOR PINOUT FOR SWITCHING OPTION			
PIN	FUNCTION	PIN	FUNCTION
A	VCC+	D	IVS2
B	OUT	E	IVS1
C	COM-	F	IVS COM



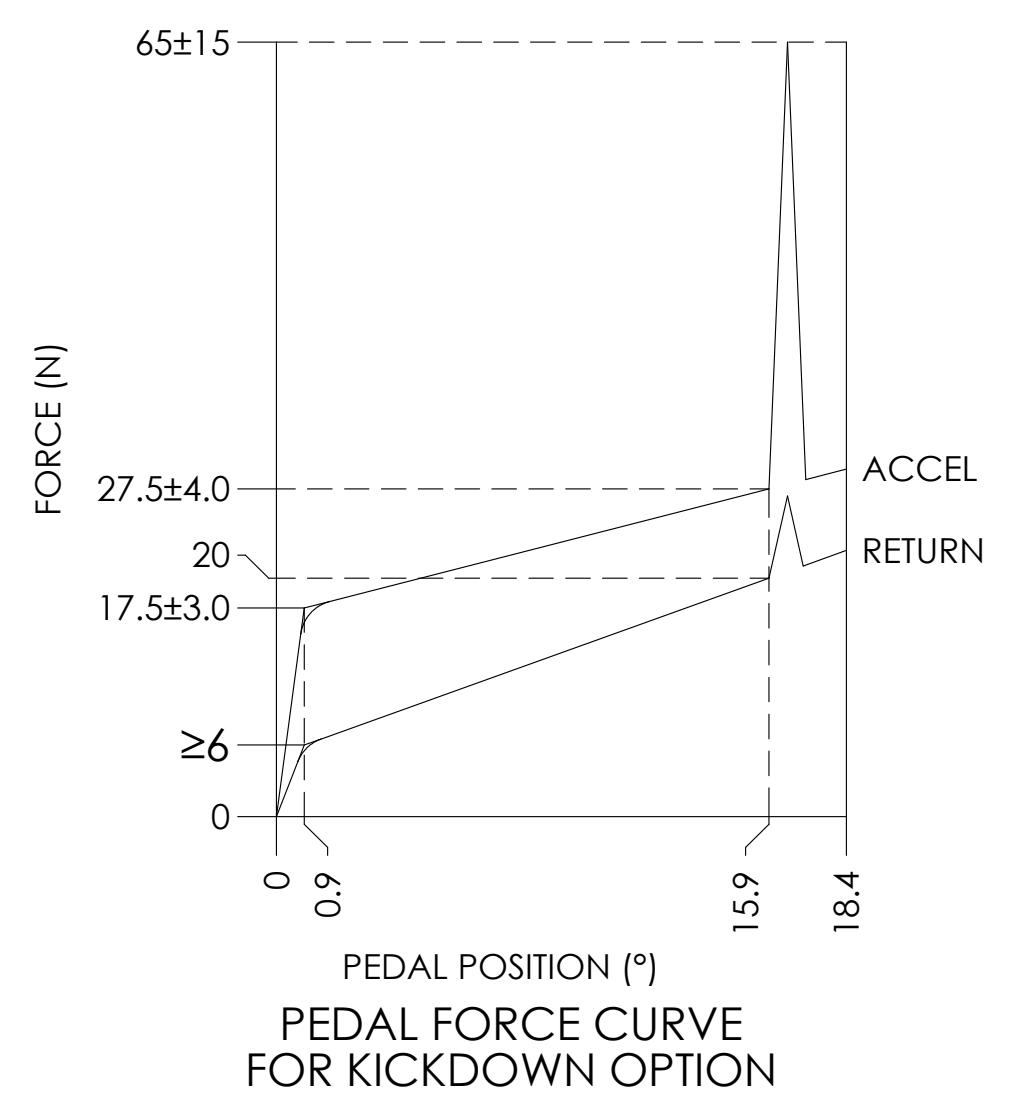
OUTPUT CHARACTERISTICS
 FOR DUAL ANALOG OPTION
 FIGURE 1



OUTPUT CHARACTERISTICS
 FOR SWITCHING OPTION
 FIGURE 1



PEDAL FORCE CURVE
 FIGURE 3



PEDAL FORCE CURVE
 FOR KICKDOWN OPTION
 FIGURE 4

Herbertek www.herbertek.se
info@herbertek.se
 +46-18 590510

UNITS IN millimeter [inch]
 PART #
 10453