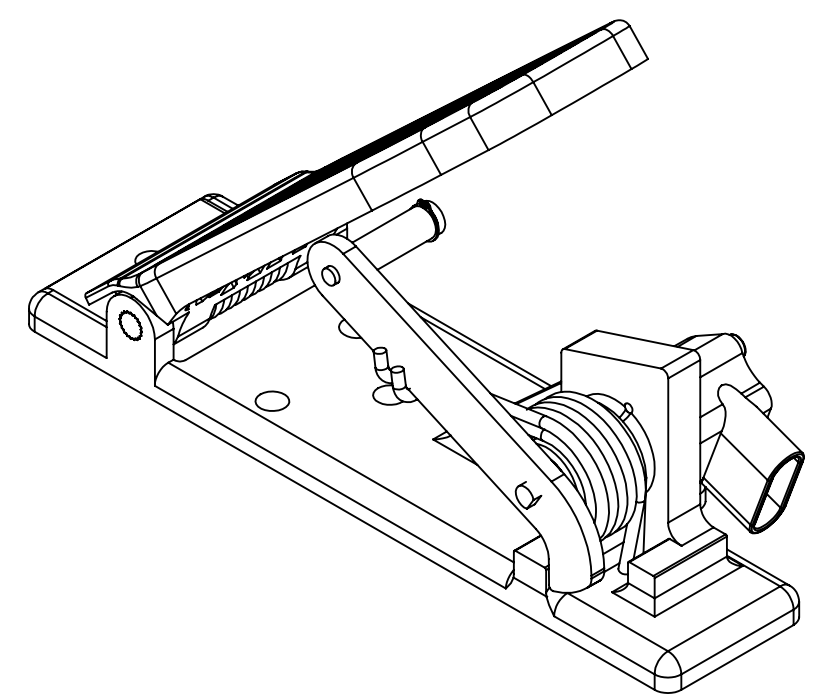
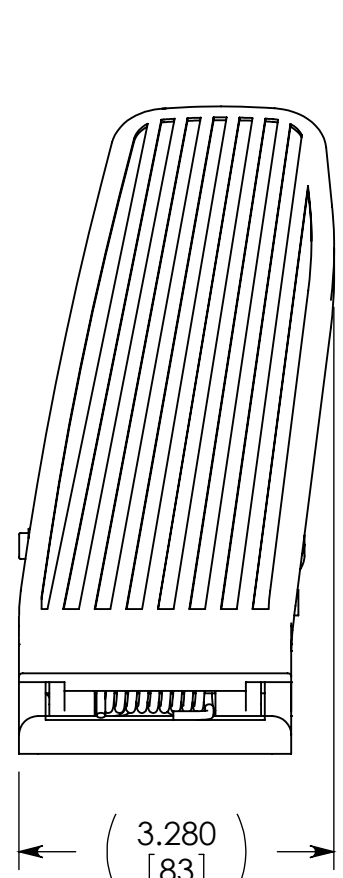
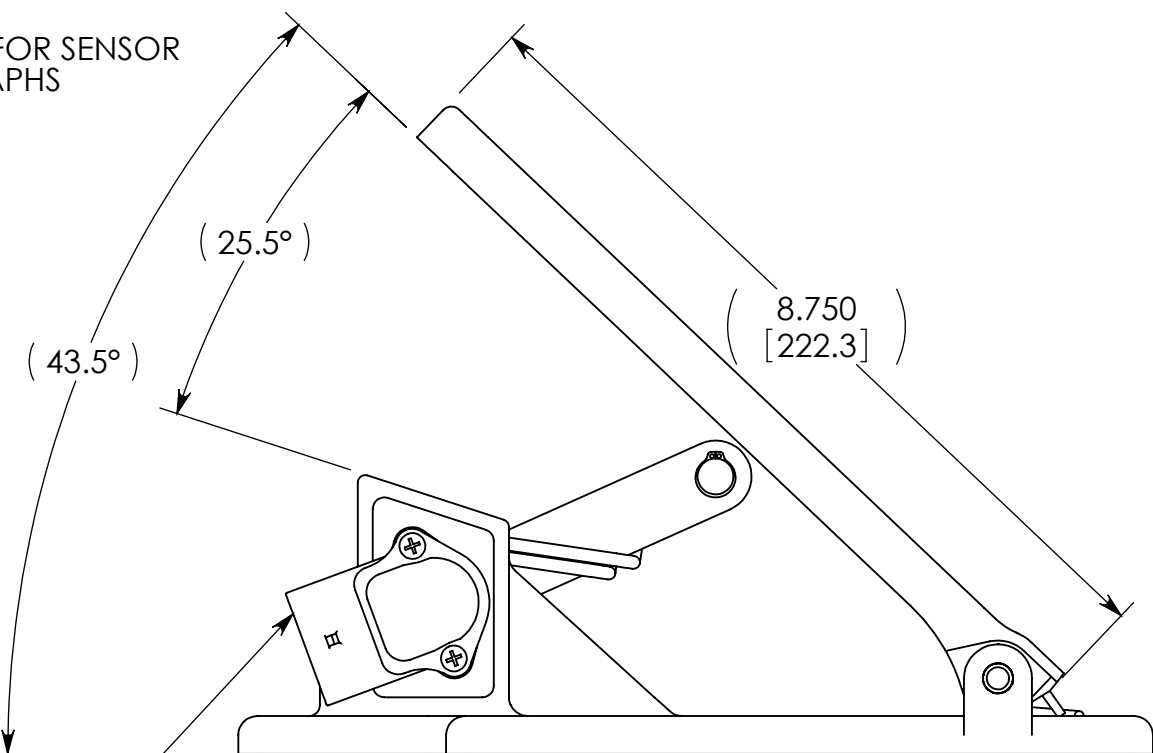
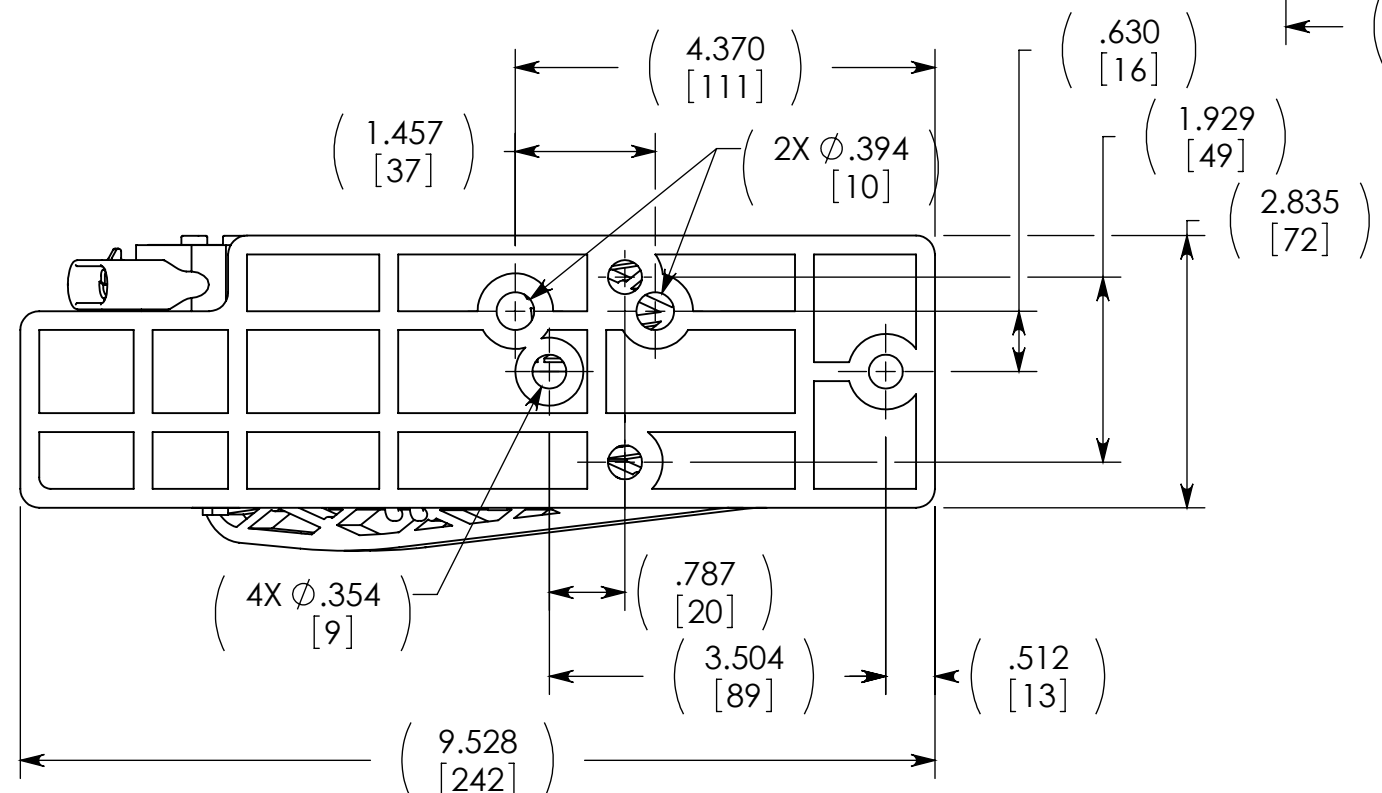


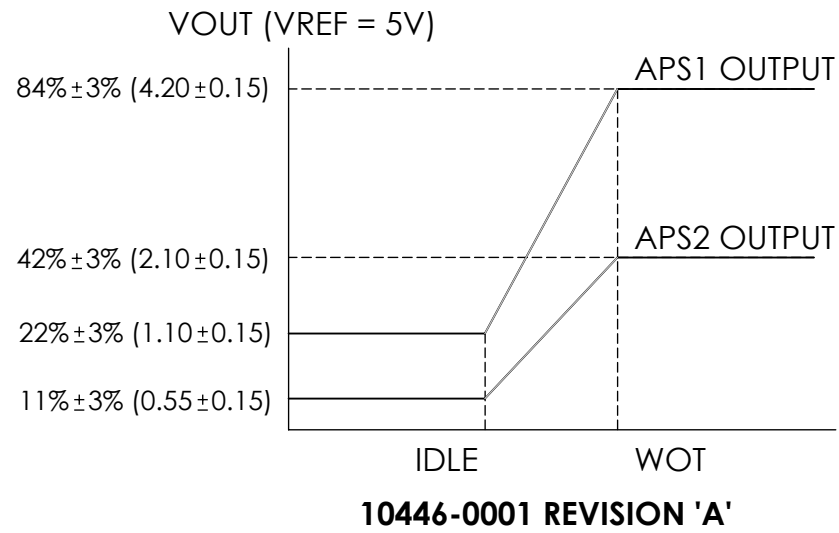
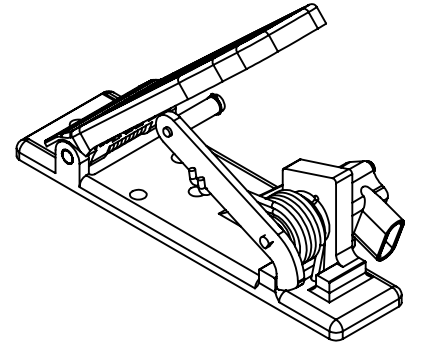
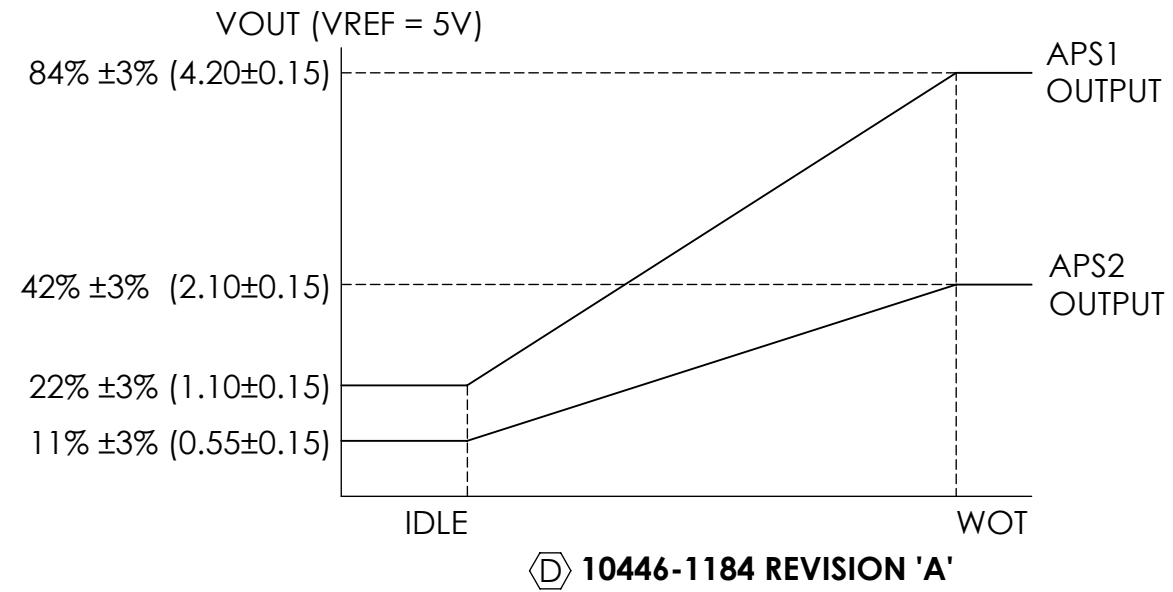
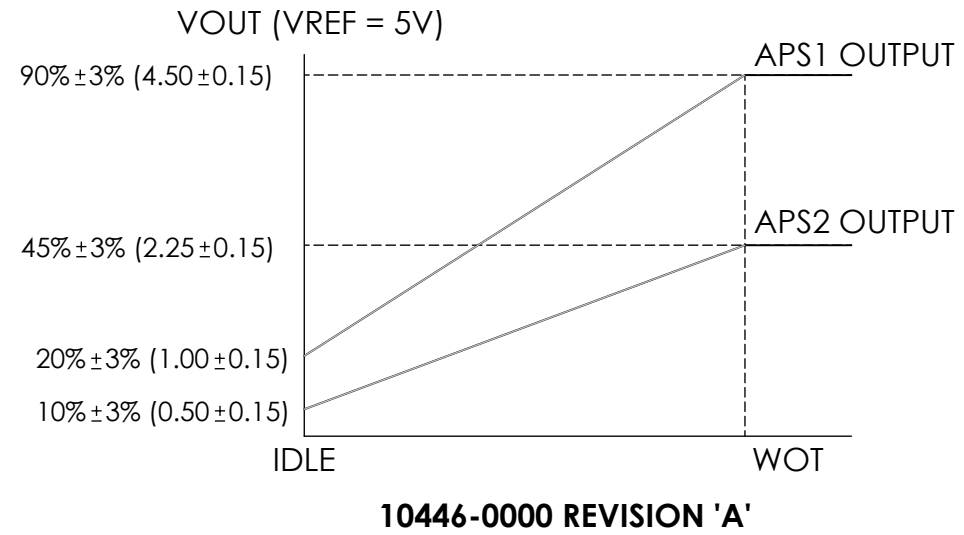
NOTES:  
 1. SEE SHEET 2 FOR SENSOR  
 OUTPUT GRAPHS



SENSOR PINOUT:  
 A 5V RTN2  
 B 5V EXT2 18ma MAX  
 C FPP1  
 D FPP2  
 E 5V RTN1  
 F 5V EXT1 18 ma MAX

MATING CONNECTOR:  
 PACKARD METRIPACK  
 150 SERIES





**10446-C7PWM REVISION 'A'**

FPP1 DATA:  
 FREQUENCY: 500Hz  
 IDLE: 10% DUTY CYCLE  
 FULLY DEPRESSED: 90% DUTY CYCLE

FPP2 DATA:  
 FREQUENCY: 500Hz  
 IDLE: 10% DUTY CYCLE  
 FULLY DEPRESSED: 10% DUTY CYCLE

**Herbertek**

www.herbertek.se  
 info@herbertek.se  
 +46-18 590510

UNITS IN inch [millimeter]

PART #  
**10446-XXXX**