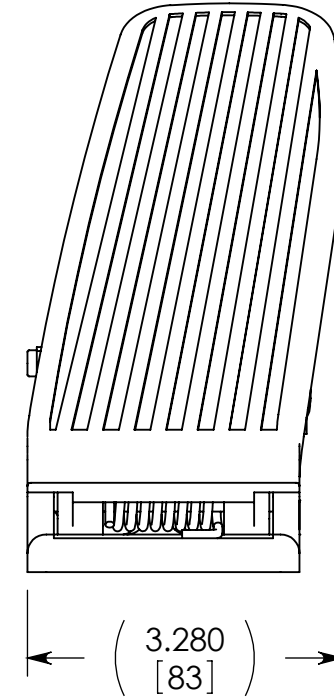
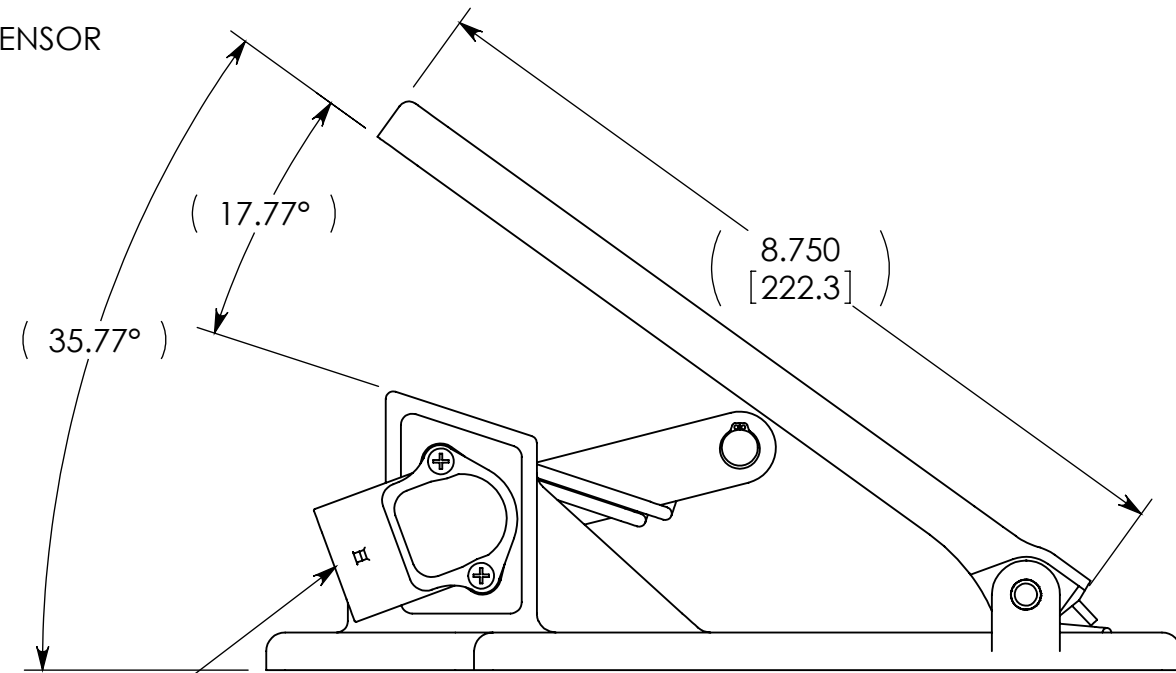
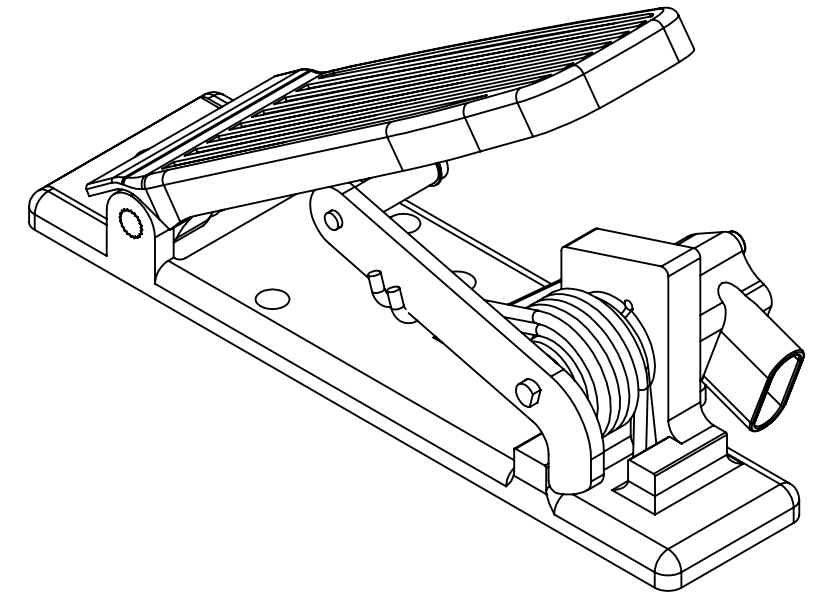
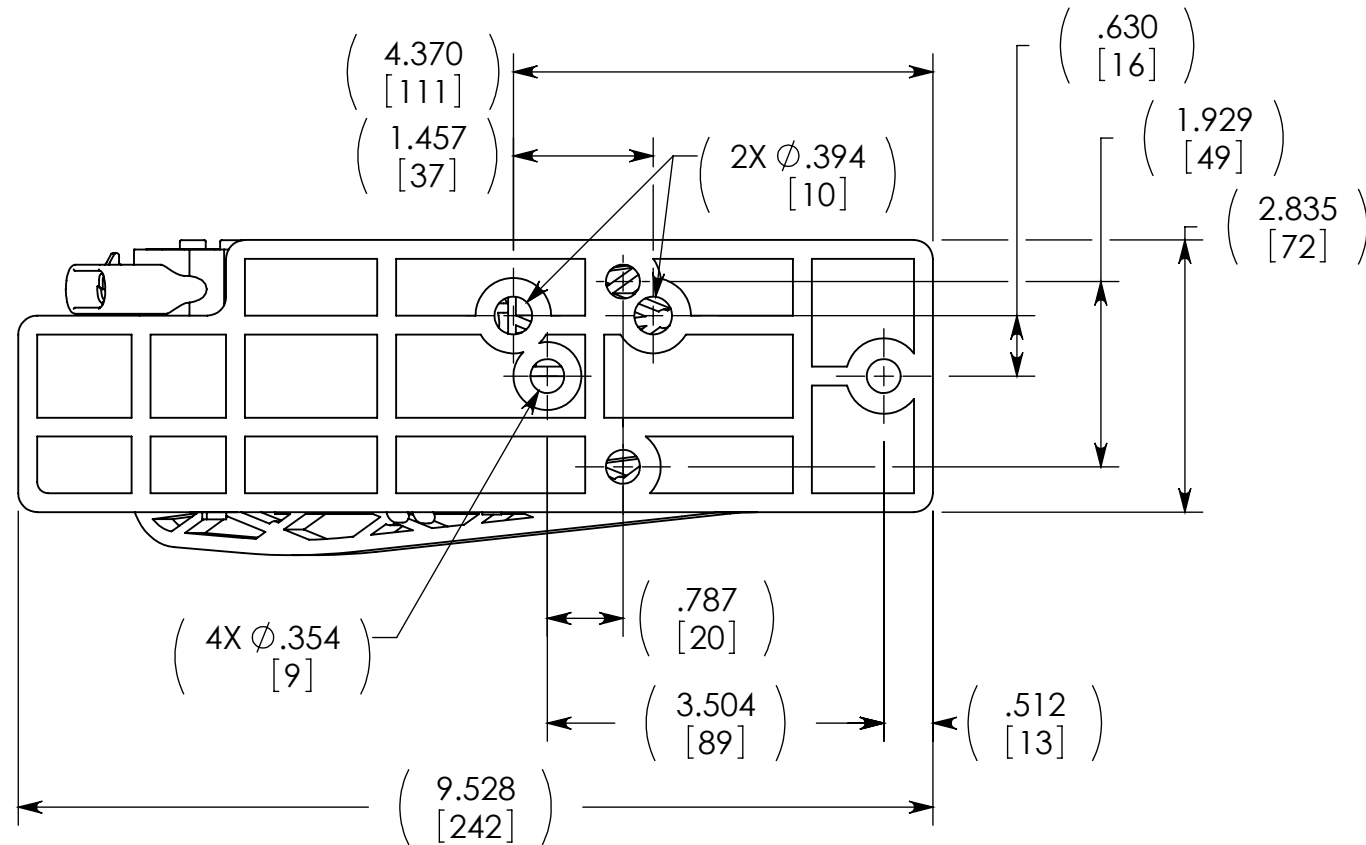


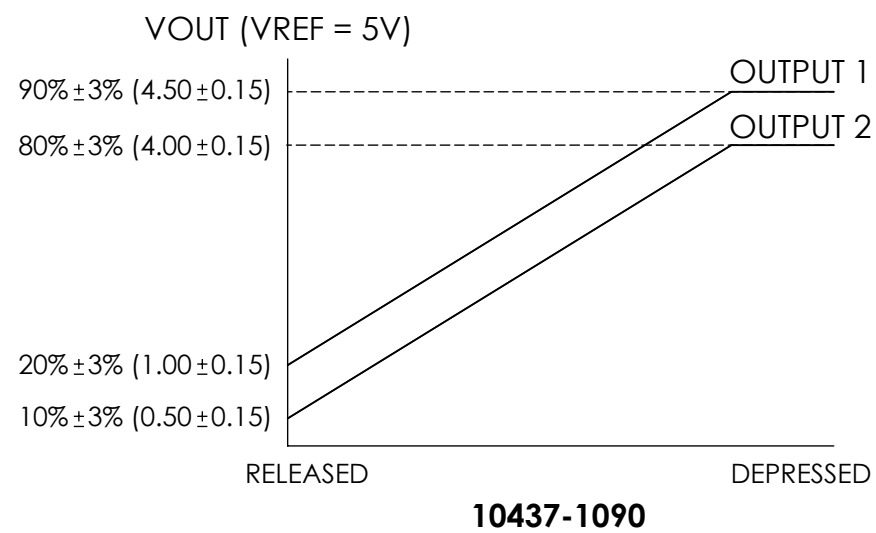
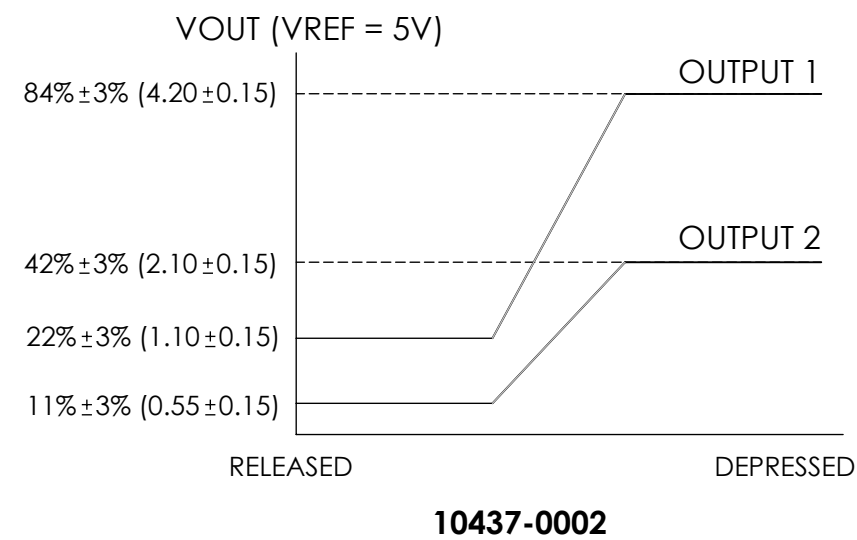
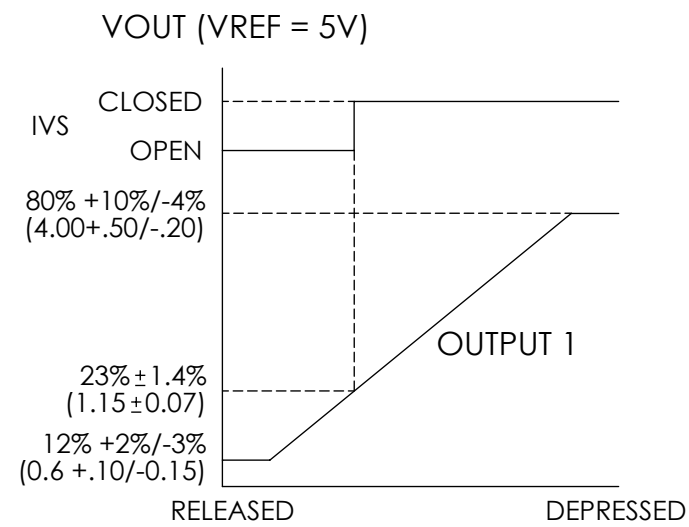
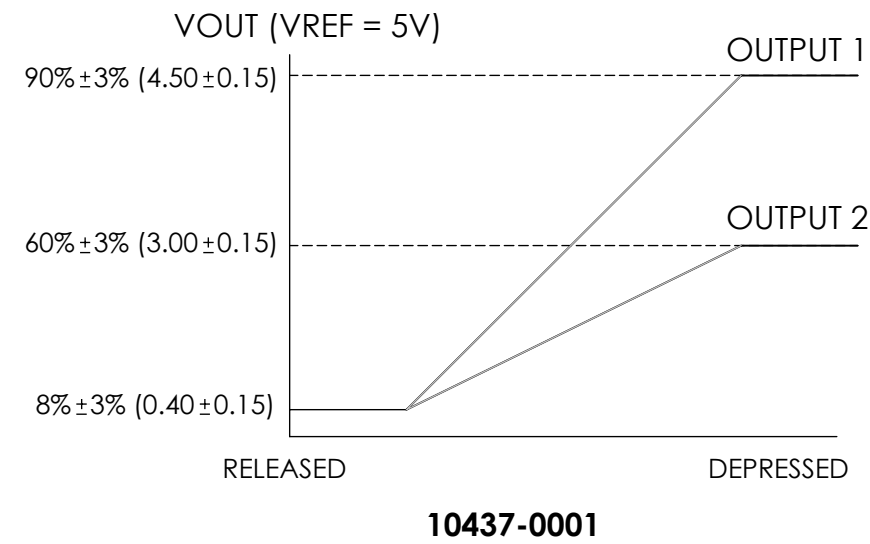
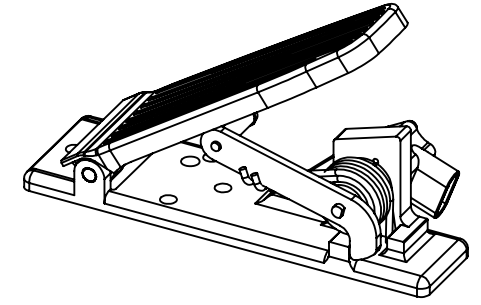
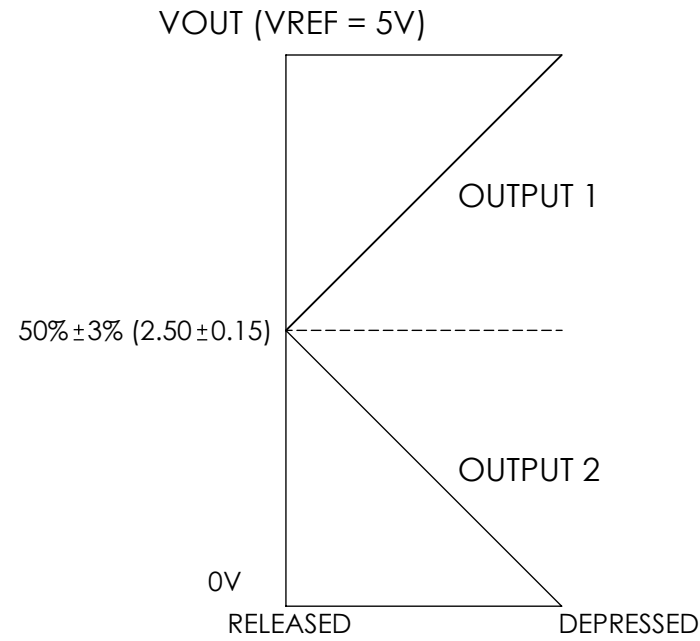
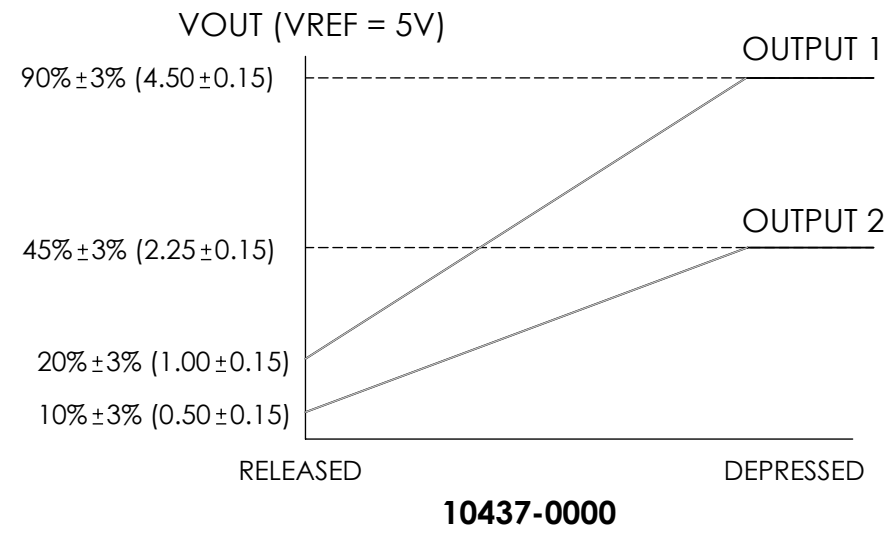
NOTES:
 1. SEE SHEET 2 FOR SENSOR
 OUTPUT GRAPHS



SENSOR PINOUT:
 A 5V RTN2
 B 5V EXT2 18ma MAX
 C FPP1
 D FPP2 (IVS)
 E 5V RTN1
 F 5V EXT1 18 ma MAX

MATING CONNECTOR:
 PACKARD METRIPACK
 150 SERIES





Herbertek www.herbertek.se
info@herbertek.se
 +46-18 590510

UNITS IN inch [millimeter]

PART #
10437-XXXX