

SPECIFICATIONS

1. ENVIRONMENT SPECIFICATIONS

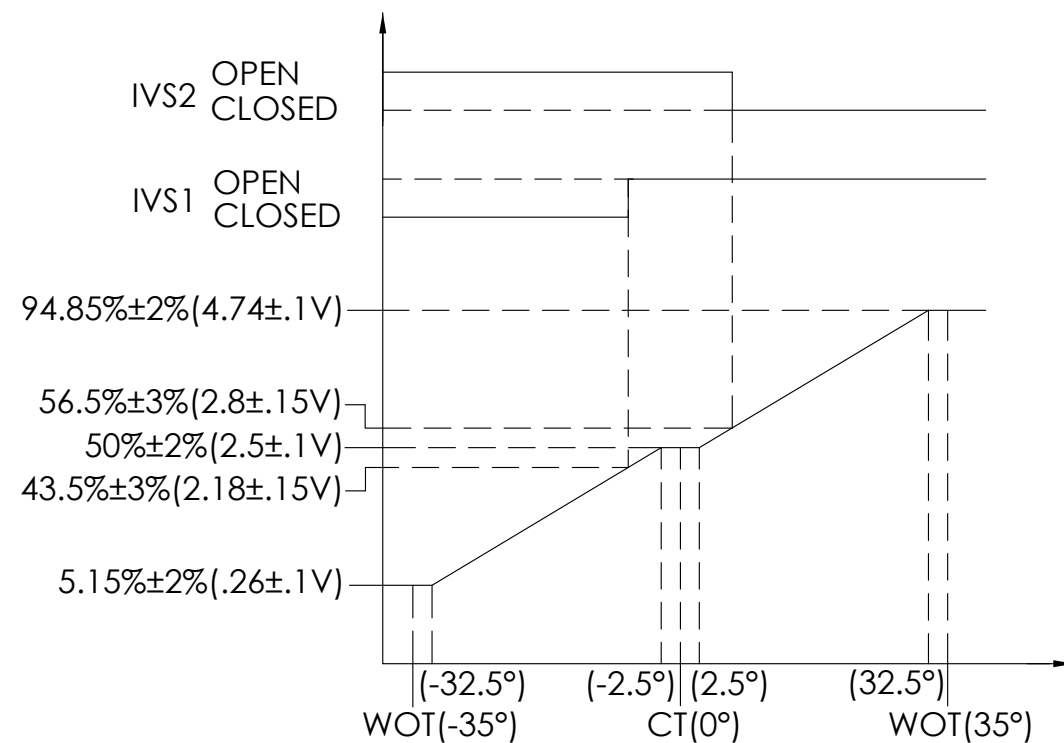
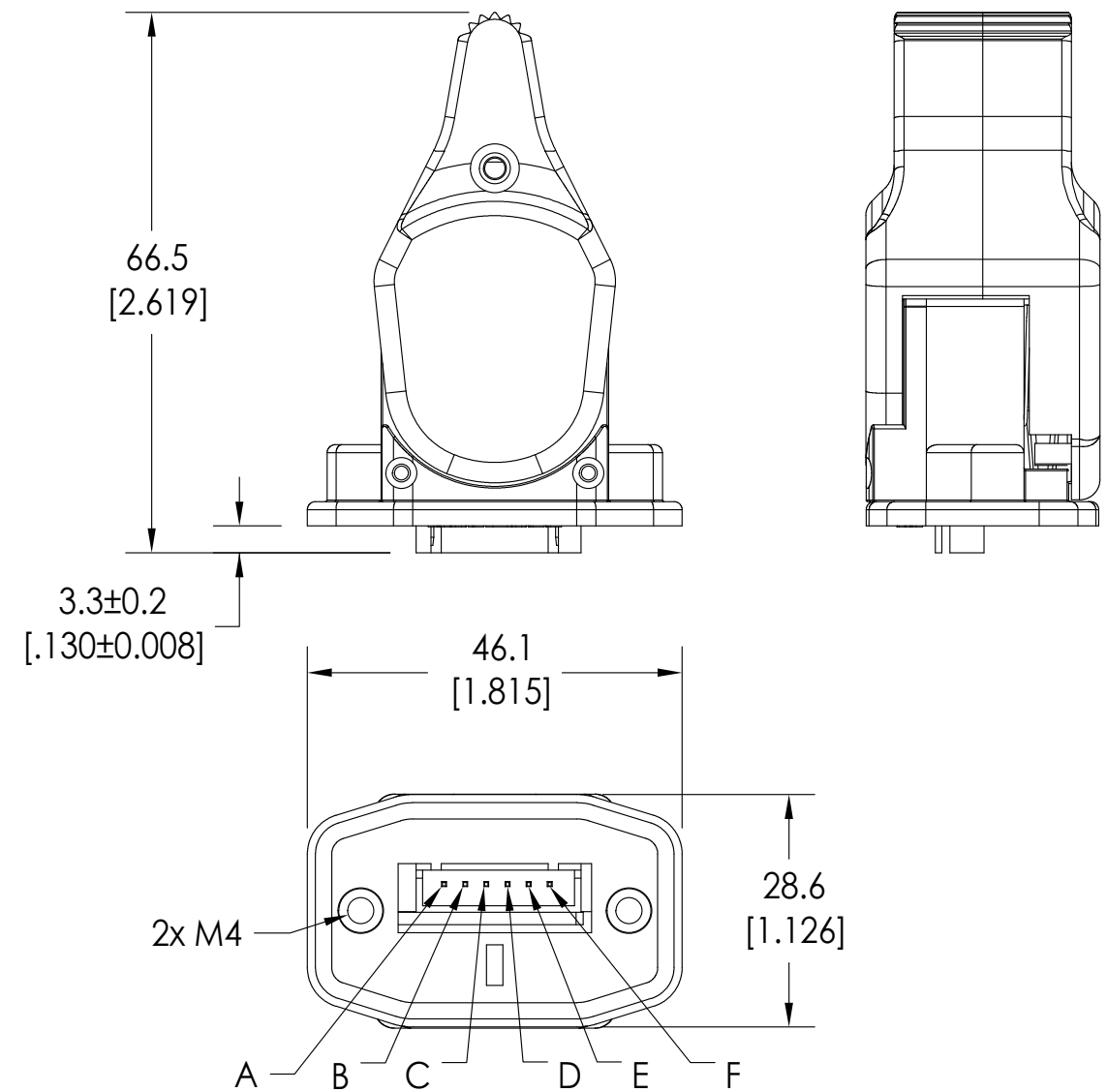
- WORKING TEMPERATURE: -40°C TO 120°C
- PROTECTION CLASS: IP65

2. ELECTRICAL SPECIFICATIONS

- WORKING VOLTAGE: 5.0 - 16.0vdc
- TOTAL RESISTANCE: $3K\Omega \pm 20\%P$
- INSULATING RESISTANCE: $\geq 10M\Omega$
- ELECTRICAL ANGLE: $\pm 30^\circ$
- LINEARITY: $\pm 2\%$
- OUTPUT SMOOTHNESS: $< 0.5\%$
- REPEATABILITY: $\leq 0.1\%$
- WIPER WORKING CURRENT: $\leq 1\mu A$
- MAXIMUM WIPER WORKING CURRENT: 10mA

3. MECHANICAL SPECIFICATIONS

- TRAVEL: $\pm 35^\circ$
- LIFE: 3,000,000 CYCLES
- WEIGHT: $14.5g \pm 1.5g$



SENSOR ELECTRICAL OUTPUT
(VREF = 5.0 VDC)

PIN	FUNCTION	PIN	FUNCTION
A	IVSCOM	D	APSGND
B	IVS1VNO	E	APSOULT
C	IVS2VNO	F	APSVCC

Herbertek www.herbertek.se
info@herbertek.se
 +46-18 590510

UNITS IN millimeter [inch]

PART #
10300